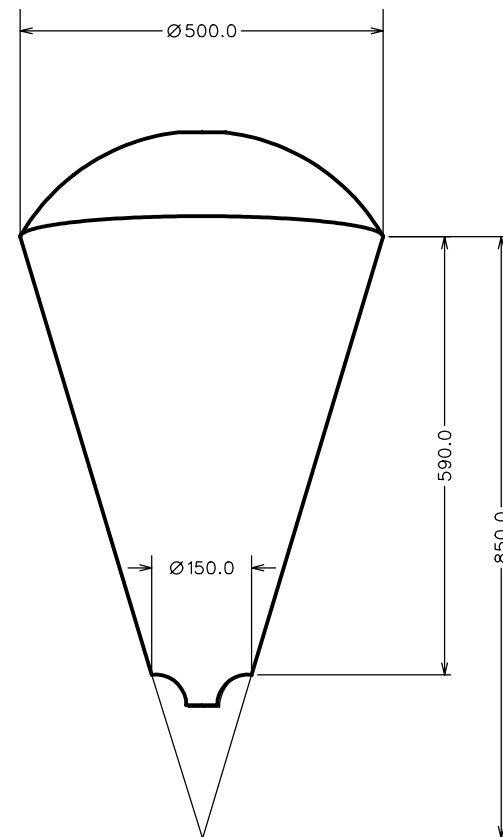
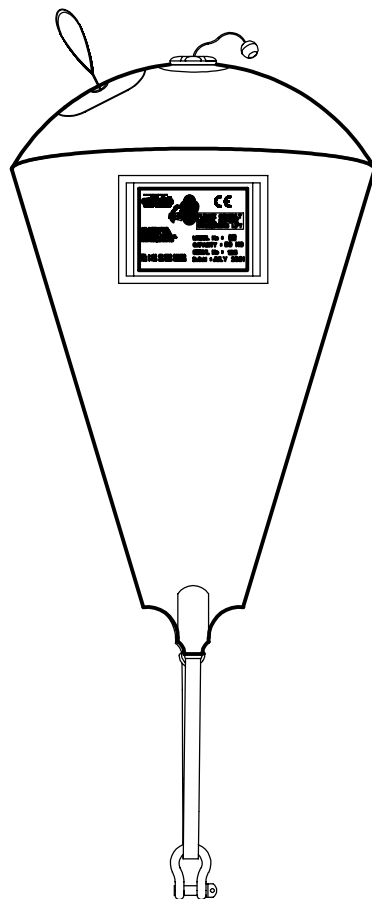
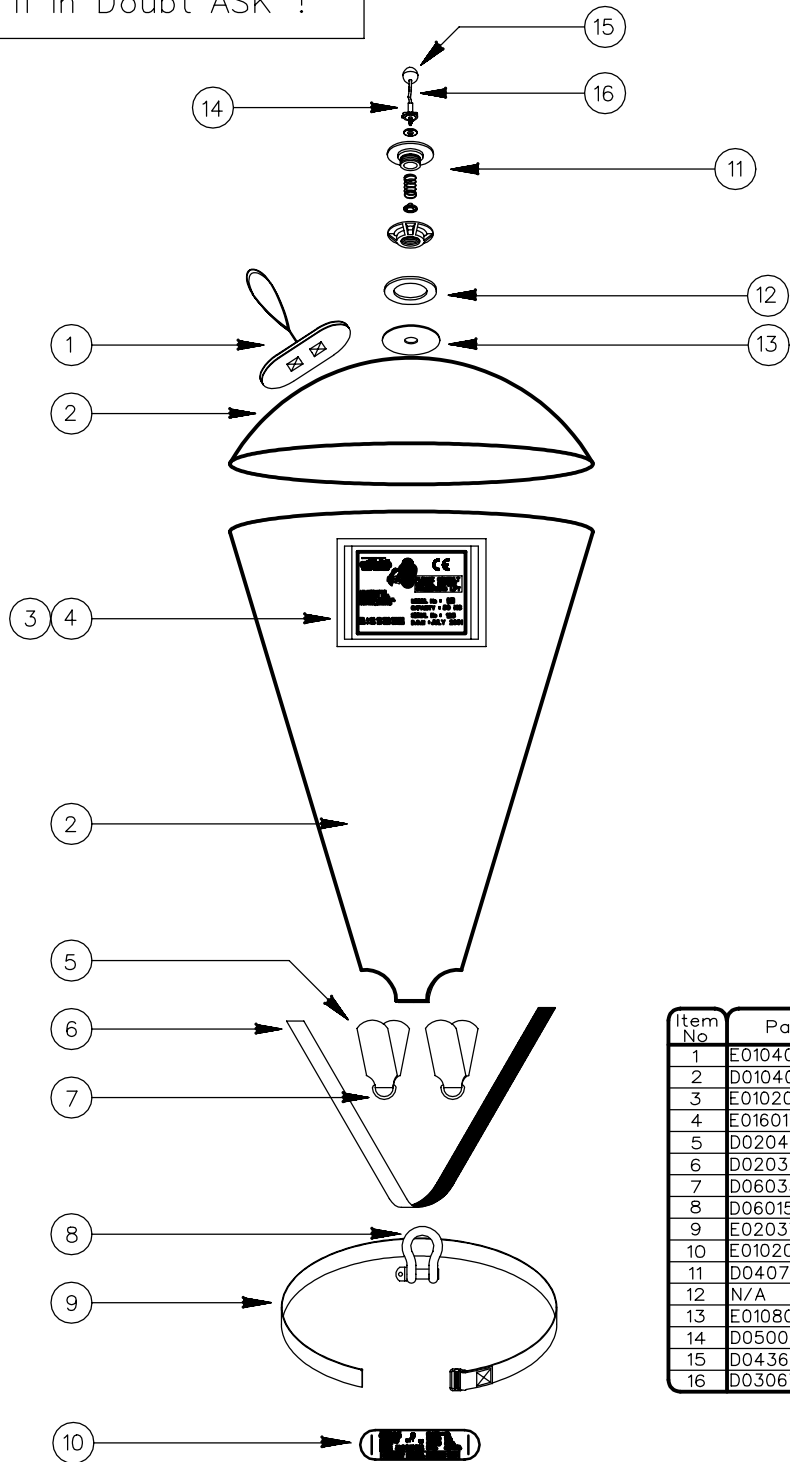


If In Doubt ASK !



Item No	Part No	Qty	Description	Remarks
1	E0104038900	1	Anchor Tab	Minor
2	D0104029999	-	Bag Material	2 X 2 Yellow P.V.C.
3	E0102030816	1	JW Label	Blue P.V.C.
4	E0160175800	1	Label Cover	Clear P.V.C.
5	D0204700000	0.8	Weldable Web	45MM
6	D0203700000	0.6	25MM Webbing	Black
7	D0603353370	2	D Ring	25MM
8	D0601510180	1	Shackle	2.0 Tonne
9	E0203709500	1	Tie Strap	Minor
10	E0102036000	1	Tie Strap Label	Blue PVC
11	D0407683308	1	A6 Toggle Dump Valve	
12	N/A	1	Gasket	A7 Type
13	E0108033402	1	Patch	85mm Dia
14	D0500539011	1	Crimped Copper Ferrule	3mm
15	D0436273037	1	Toggle	Black
16	D0306710000		3mm Rope	

<p>Tolerance</p> <p>N/A</p> <p>© SCHOLLE EUROPE LIMITED t/a Crestbury and J.W. Automarine 1972-2003. This article and drawing is protected by copyright and is the property of Scholle Europe Limited. It may not be copied, published, or used for any purpose other than that for which it has been supplied, except with the written permission of Scholle Europe Limited.</p>				<p>File Name</p> <p>SPD1.DGN</p> <p>Material</p> <p>2x2 PVC</p> <p>SCHOLLE EUROPE LTD. t/a Crestbury automarine</p> <p>Enteror Lee Way Fakenham, Norfolk, NR21 8SN, England Telephone: Fakenham (01328) 852300 Fax: Fakenham (01328) 864222 Email: sales@jwautomarine.co.uk</p>	
<p>Drawn</p> <p>AJD</p>	<p>Sig</p> <p>AJD</p>	<p>Revisions</p> <p>Updated</p>	<p>Issue</p> <p>4</p> <p>5</p> <p>6</p> <p>7</p>	<p>Date</p> <p>95</p> <p>6.7.98</p> <p>26.11.01</p> <p>22.4.02</p>	<p>Client</p> <p>JW Automarine</p>
<p>Scale</p> <p>1:4</p>	<p>SBG</p> <p>SBG</p>	<p>New Valve</p> <p>Strap Label</p>	<p>Issue No</p> <p>7</p>	<p>Date</p> <p>22.4.02</p>	<p>Drawing No</p> <p>CJW 95/407</p>
<p>On A1</p> <p>Checked</p>					<p>Sheet No</p> <p>1 Of 1</p>
<p>Title</p> <p>M1 (50 Kg.)</p>					