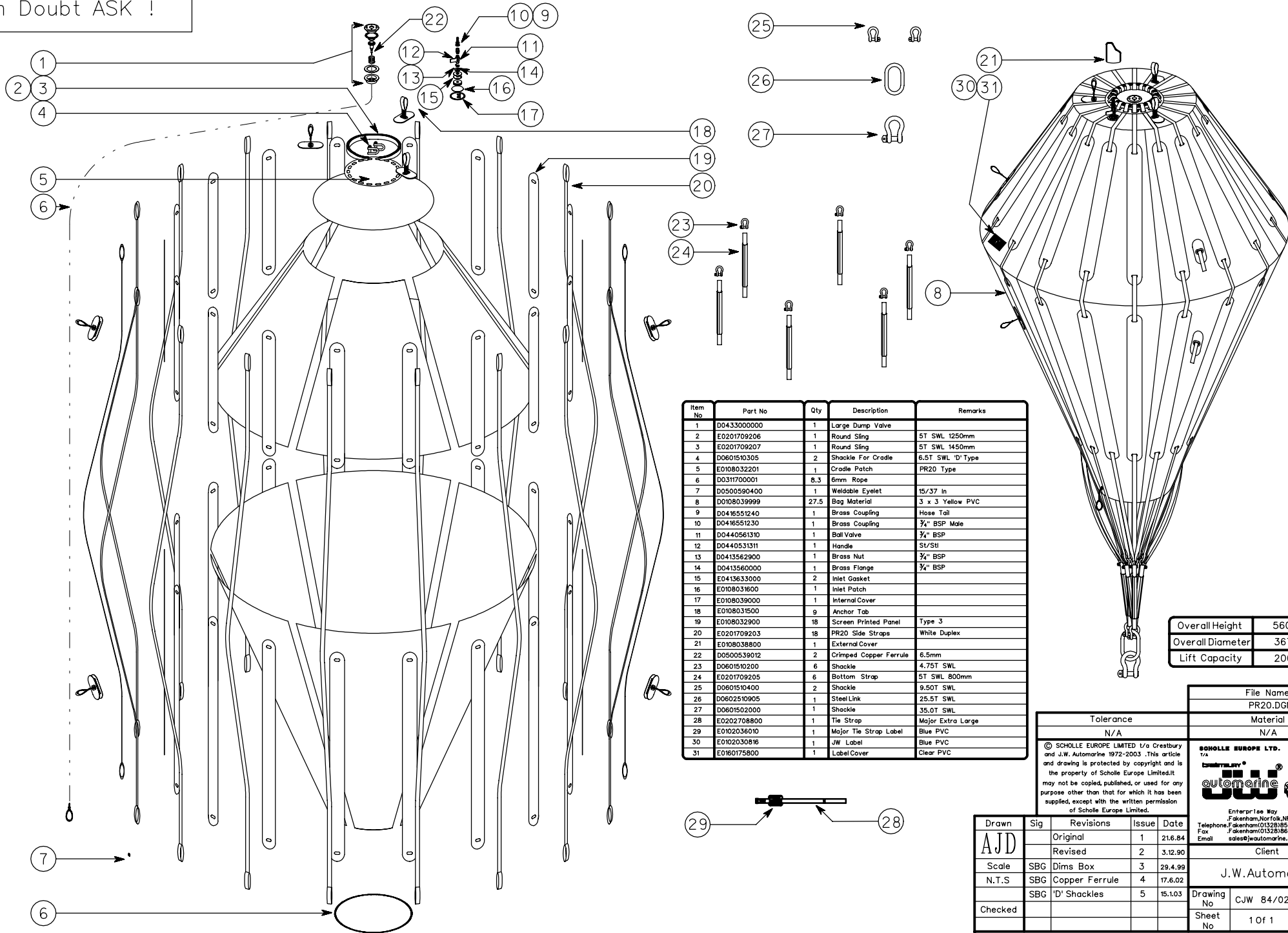


If In Doubt ASK !



| Item No | Part No     | Qty  | Description            | Remarks           |
|---------|-------------|------|------------------------|-------------------|
| 1       | D043300000  | 1    | Large Dump Valve       |                   |
| 2       | E0201709206 | 1    | Round Sling            | 5T SWL 1250mm     |
| 3       | E0201709207 | 1    | Round Sling            | 5T SWL 1450mm     |
| 4       | D0601510305 | 2    | Shackle For Cradle     | 6.5T SWL 'D' Type |
| 5       | E0108032201 | 1    | Cradle Patch           | PR20 Type         |
| 6       | D031700001  | 8.3  | 6mm Rope               |                   |
| 7       | D0500590400 | 1    | Weldable Eyelet        | 15/37 In          |
| 8       | D0108039999 | 27.5 | Bag Material           | 3 x 3 Yellow PVC  |
| 9       | D0416551240 | 1    | Brass Coupling         | Hose Tail         |
| 10      | D0440561310 | 1    | Brass Coupling         | 3/4" BSP Male     |
| 11      | D0440561310 | 1    | Ball Valve             | 3/4" BSP          |
| 12      | D0440531311 | 1    | Handle                 | SV/STI            |
| 13      | D0413562900 | 1    | Brass Nut              | 3/4" BSP          |
| 14      | D0413560000 | 1    | Brass Flange           | 3/4" BSP          |
| 15      | E0413633000 | 2    | Inlet Gasket           |                   |
| 16      | E0108031600 | 1    | Inlet Patch            |                   |
| 17      | E0108039000 | 1    | Internal Cover         |                   |
| 18      | E0108031500 | 9    | Anchor Tab             |                   |
| 19      | E0108032900 | 18   | Screen Printed Panel   | Type 3            |
| 20      | E0201709203 | 18   | PR20 Side Straps       | White Duplex      |
| 21      | E0108038800 | 1    | External Cover         |                   |
| 22      | D0500539012 | 2    | Crimped Copper Ferrule | 6.5mm             |
| 23      | D0601510200 | 6    | Shackle                | 4.75T SWL         |
| 24      | E0201709205 | 6    | Bottom Strap           | 5T SWL 800mm      |
| 25      | D0601510400 | 2    | Shackle                | 9.50T SWL         |
| 26      | D0602510905 | 1    | Steel Link             | 25.5T SWL         |
| 27      | D0601502000 | 1    | Shackle                | 35.0T SWL         |
| 28      | E0202708800 | 1    | Tie Strap              | Major Extra Large |
| 29      | E0102036010 | 1    | Major Tie Strap Label  | Blue PVC          |
| 30      | E0102030816 | 1    | JW Label               | Blue PVC          |
| 31      | E0106175800 | 1    | Label Cover            | Clear PVC         |

|                  |         |
|------------------|---------|
| Overall Height   | 5600mm  |
| Overall Diameter | 3670mm  |
| Lift Capacity    | 20000Kg |

|   |  |          |  |
|---|--|----------|--|
| Tolerance   |  | Material |  |
| N/A   |  | N/A      |  |
| <small>© SCHOLLE EUROPE LIMITED U/a Crestbury and J.W. Automarine 1972-2003. This article and drawing is protected by copyright and is the property of Scholle Europe Limited. It may not be copied, published, or used for any purpose other than that for which it has been supplied, except with the written permission of Scholle Europe Limited.</small> |  |          |  |
| <small>SCHOLLE EUROPE LTD.<br/>T/A<br/>CRESTBURY</small>  |  |          |  |

|         |     |                |       |         |                 |           |
|---------|-----|----------------|-------|---------|-----------------|-----------|
| Drawn   | Sig | Revisions      | Issue | Date    | Client          |           |
| AJD     |     | Original       | 1     | 21.6.84 | J.W. Automarine |           |
|         |     | Revised        | 2     | 3.12.90 |                 |           |
| Scale   | SBG | Dims Box       | 3     | 29.4.99 | J.W. Automarine |           |
| N.T.S   | SBG | Copper Ferrule | 4     | 17.6.02 |                 |           |
| Checked |     |                |       |         | Drawing No      | CJW 84/02 |
|         |     |                |       |         | Issue No        | 5         |
|         |     |                |       |         | Sheet No        | 1 Of 1    |
|         |     |                |       |         | Date            | 15.10.03  |

Title  
PR20 (20000 Kg)