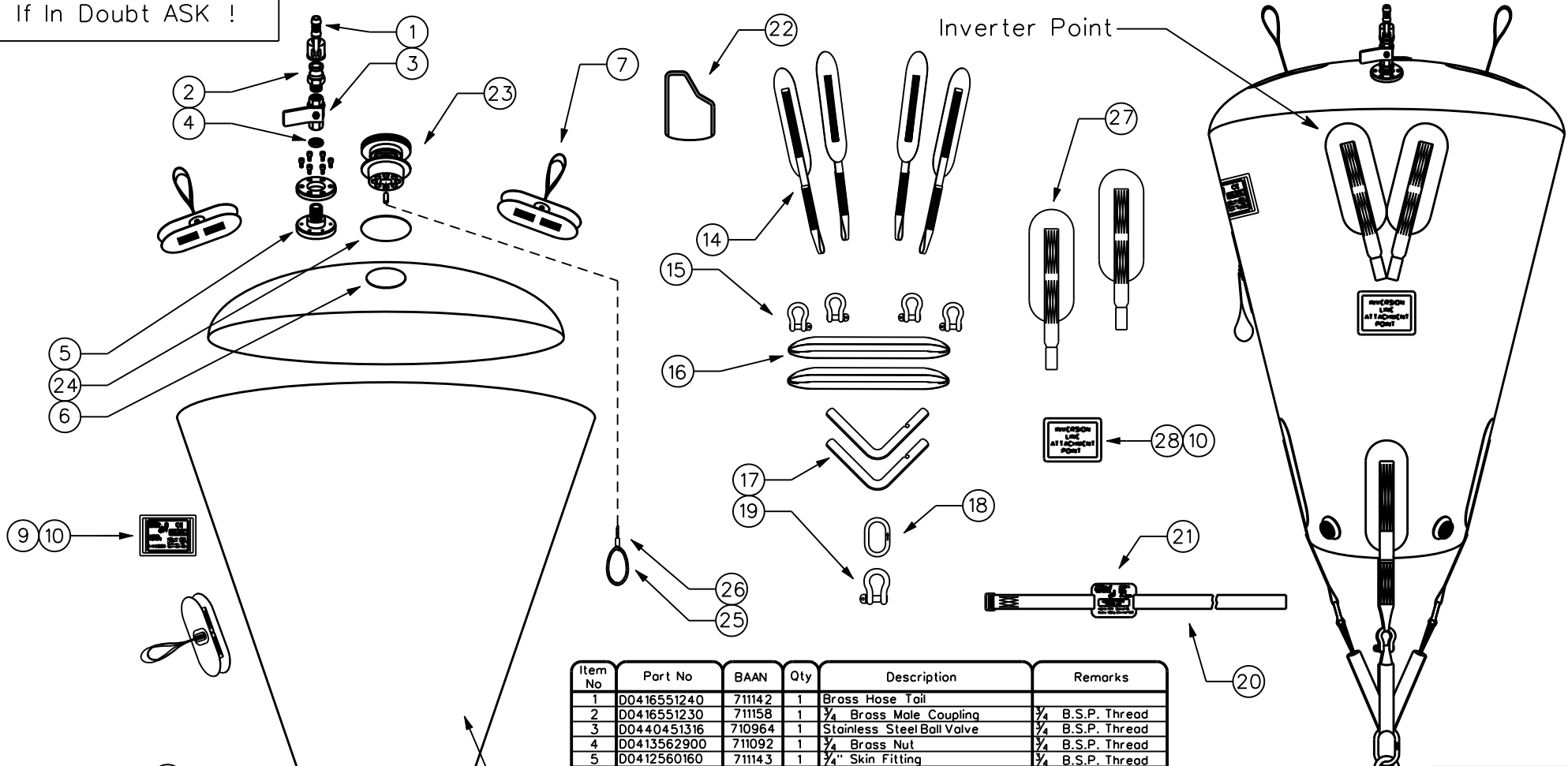


If In Doubt ASK !



Overall Height	3020mm
Overall Diameter	1400mm
Lift Capacity	2000Kg

Item No	Part No	BAAN	Qty	Description	Remarks
1	D0416551240	711142	1	Brass Hose Tail	
2	D0416551230	711158	1	3/4 Brass Male Coupling	3/4 B.S.P. Thread
3	D0440451316	710964	1	Stainless Steel Ball Valve	3/4 B.S.P. Thread
4	D0413562900	711092	1	3/4 Brass Nut	3/4 B.S.P. Thread
5	D0412560160	711143	1	3/4" Skin Fitting	3/4 B.S.P. Thread
6	E0108031600	710276	1	3/4 Inlet Patch	
7	E0108031500	710273	3	Anchor Tab	Major
8	D0108039999	710370	5.8tm	3 x 3 PVC Material	Yellow
9	E0102030816	N/A	1	JW Label	Blue PVC
10	E0160175800	710202	2	Label Cover	Clear PVC
11	D0407683320	711127	3	A10 Relief Valve	2 P.S.I.
12	D0430690018	710977	1	4" Skin Fitting	
13	D0430690021	710974	1	4" Plug	To Take A10 Valve
14	E0202701700	710891	4	Side Strap	
15	D0601510180	710759	4	2.0 T Shackle	
16	E0201709224	711951	2	Bottom Strap	Rnd Sling 1T 0.7m
17	E0104031201	710264	2	Medium Sleeve	2 x 2
18	D0602510600	710777	1	4.1T Link	1686
19	D0601510200	710764	1	4.75 T Shackle	
20	E0202709000	710892	1	Tie Strap	Major Medium
21	E0102036005	N/A	1	Major Tie Strap Info Label	Blue PVC
22	E0108038800	710199	1	External Valve Cover	
23	D0433000000	711044	1	Large Dump Valve	
24	E0108031800	710277	1	Dump Valve Patch	7"
25	D0311700001	710729	4.25m	6mm Rope	
26	D0500539012	710250	2	Crimped Copper Ferrule	6.5mm
27	E0201700402	711525	2	PR5 Side Straps	Inverter Point
28	E0102030818	711718	1	Inverter Point Label Large	Yellow PVC

Dimensions in MM		BAAN No.																										
Tolerance		710151																										
N/A		File Name																										
		PR2TE.DGN																										
		Material																										
		P.V.C.																										
<p>©SCHOLLE EUROPE LIMITED 1/0 J.W. Automarine 1972- Present. This article and drawing is protected by copyright and is the property of Scholle Europe Limited. It may not be copied, published, or used for any purpose other than that for which it has been supplied, except with the written permission of Scholle Europe Limited.</p>																												
		<p>Enter Fax Way J. Foxham, Morfax, J0821 85M, England Telephone: Foxham 013281852300 Fax: Foxham 013281854222 Email: sales@jwautomarine.co.uk</p>																										
<table border="1"> <tr> <th>Drawn</th> <th>Sig</th> <th>Revisions</th> <th>Issue</th> <th>Date</th> </tr> <tr> <td>SBG</td> <td></td> <td>Drawn</td> <td>1</td> <td>12.3.03</td> </tr> <tr> <td></td> <td></td> <td>Skin Fitting</td> <td>2</td> <td>20.3.06</td> </tr> <tr> <td></td> <td></td> <td>Inverter Point</td> <td>3</td> <td>2.10.07</td> </tr> <tr> <td></td> <td></td> <td>Round Sling</td> <td>4</td> <td>7.4.10</td> </tr> </table>		Drawn	Sig	Revisions	Issue	Date	SBG		Drawn	1	12.3.03			Skin Fitting	2	20.3.06			Inverter Point	3	2.10.07			Round Sling	4	7.4.10	<p>Client</p> <p>JW Automarine</p>	
Drawn	Sig	Revisions	Issue	Date																								
SBG		Drawn	1	12.3.03																								
		Skin Fitting	2	20.3.06																								
		Inverter Point	3	2.10.07																								
		Round Sling	4	7.4.10																								
<table border="1"> <tr> <th>Checked</th> <th>Scale</th> <th>N.T.S.</th> </tr> <tr> <td></td> <td></td> <td></td> </tr> </table>		Checked	Scale	N.T.S.				<table border="1"> <tr> <th>Drawing No</th> <th>CJW 03/042</th> <th>Issue No</th> <th>4</th> </tr> <tr> <th>Sheet No</th> <td>1 of 1</td> <th>Date</th> <td>7.4.10</td> </tr> </table>		Drawing No	CJW 03/042	Issue No	4	Sheet No	1 of 1	Date	7.4.10											
Checked	Scale	N.T.S.																										
Drawing No	CJW 03/042	Issue No	4																									
Sheet No	1 of 1	Date	7.4.10																									
Title																												
PR2TE (2000 Kg Totally Enclosed)																												