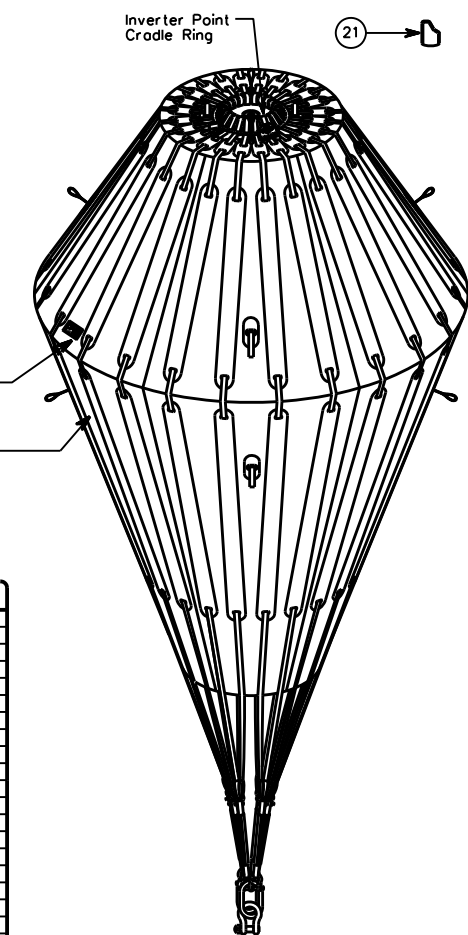
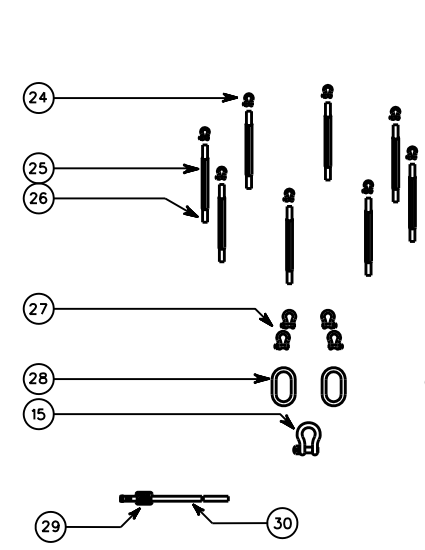
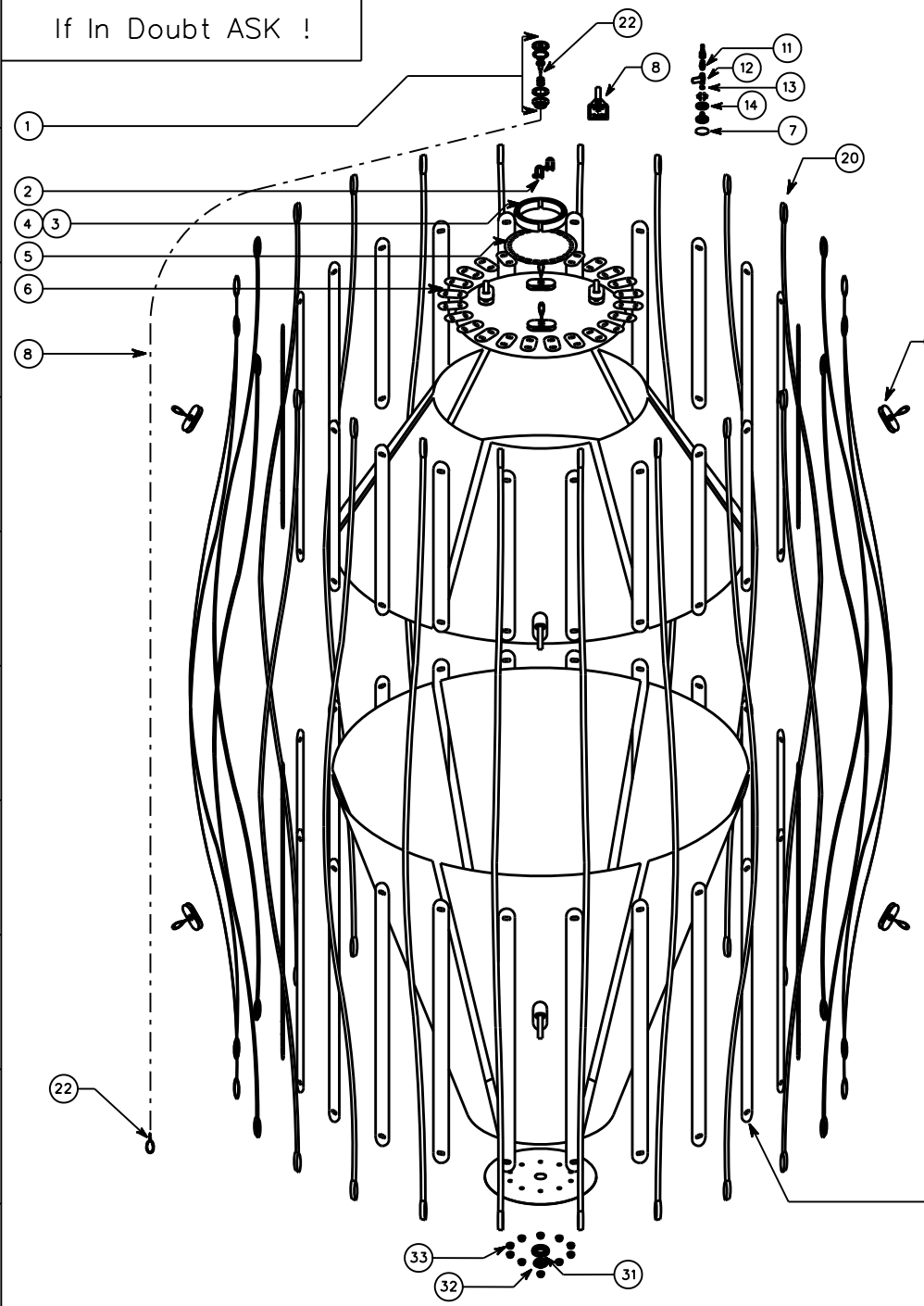


If In Doubt ASK !



Item No	Part No	BAAH	Qty	Description	Remarks
1	00433000000	71044	1	Large Dump Valve	
2	00601510305	710775	2	O Type Shackle	6.5T SWL
3	E0201709207	710872	1	Cradle Strap	5000KG SWL
4	E0201709208	710871	1	Cradle Strap	5000KG SWL
5	E0108032202	710280	1	Cradle Guide	24 Hole
6	N/A	N/A	24	Strap Guide	
7	E0108031600	710276	1	Patch 3/4" Inlet	
8	D0311700001	710729	12.0	6mm Rope	
9	E0102030819	711729	1	Inversion Point Label	Moireness
10	00416551240	711142	1	Brass Coupling	Hose Tail
11	00416551230	711158	1	Brass Coupling	3/8BSP Male
12	00440561316	710964	1	SI/SII Ball Valve	3/8BSP
13	00413562900	711092	1	Brass Nut	3/8BSP
14	00412560160	711143	1	3/2" Skin Fitting Male	
15	00601502000	710785	1	Shackle	35.0 T SWL
16	E0102030816	N/A	1	JW Label	Blue PVC
17	E0106175800	710202	1	Label Cover	Clear PVC
18	F402	710735	8	Screen Print	Strap Panel
19	E0108031500	710273	10	Anchor Tab	
20	E0201709200	710899	24	Duplex Side Strap	2.0T SWL
21	E0108038800	710199	1	External Cover	
22	00500539012	710250	2	Crimped Copper Ferrule	
23	00108039999	710370	40.0	Yellow Material	3 x 3
24	00601510200	710764	8	Shackle	4.75 T SWL
25	E0201709205	710879	8	Round Sling	5.0T SWL
26	N/A	711594	8	Large Sleeve	Print 35T
27	00601510500	710782	4	Shackle	12.0 T SWL
28	00602510905	710786	2	Steel Link	38.3T SWL
29	E0102036010	N/A	1	Major Tie Strap Label	Yellow PVC
30	E0202708800	710890	1	Tie Strap	Major Extra Large
31	00430690008	710977	1	4" BSPF Skin Fitting	
32	00430690021	710974	1	4" BSPM Plug	
33	00407683310	711131	11	AID Relief Valve 1 P.S.I.	

BAAH No.		712246
File Name		PR30TE DGN
Material		See Parts Box

©SCHOLLE EUROPE LIMITED t/o J.W. Automarine 1972- Present. This article and drawing is protected by copyright and is the property of Scholle Europe Limited. It may not be copied, published, or used for any purpose other than that for which it has been supplied, except with the written permission of Scholle Europe Limited.

SCHOLLE EUROPE LTD.
automarine

Enter our way
 Folkehampton, Hants, UK, PO21 8SN, England
 Telephone: Folkehampton 013281852300
 Fax: Folkehampton 013281854222
 Email: sales@jwautomarine.co.uk

Drawn	Sig	Revisions	Issue	Date
SBG		Drawn	1	11.3.11
Scale				
1:28				
On A1				
Checked				

Overall Height	6100mm
Overall Diameter	4000mm
Lift Capacity	30000Kg

Title: Enclosed PR30 (30000 Kg) PR30TE