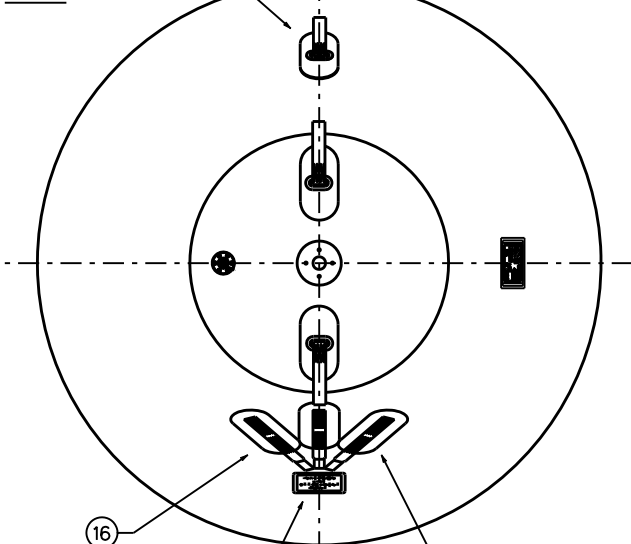
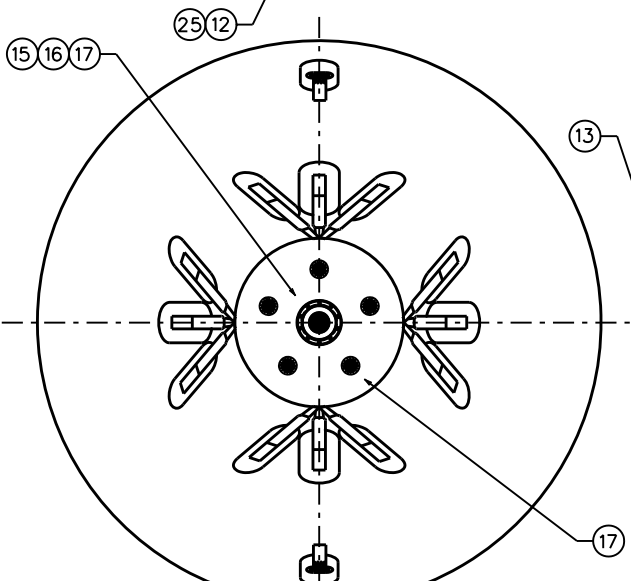


If In Doubt ASK !

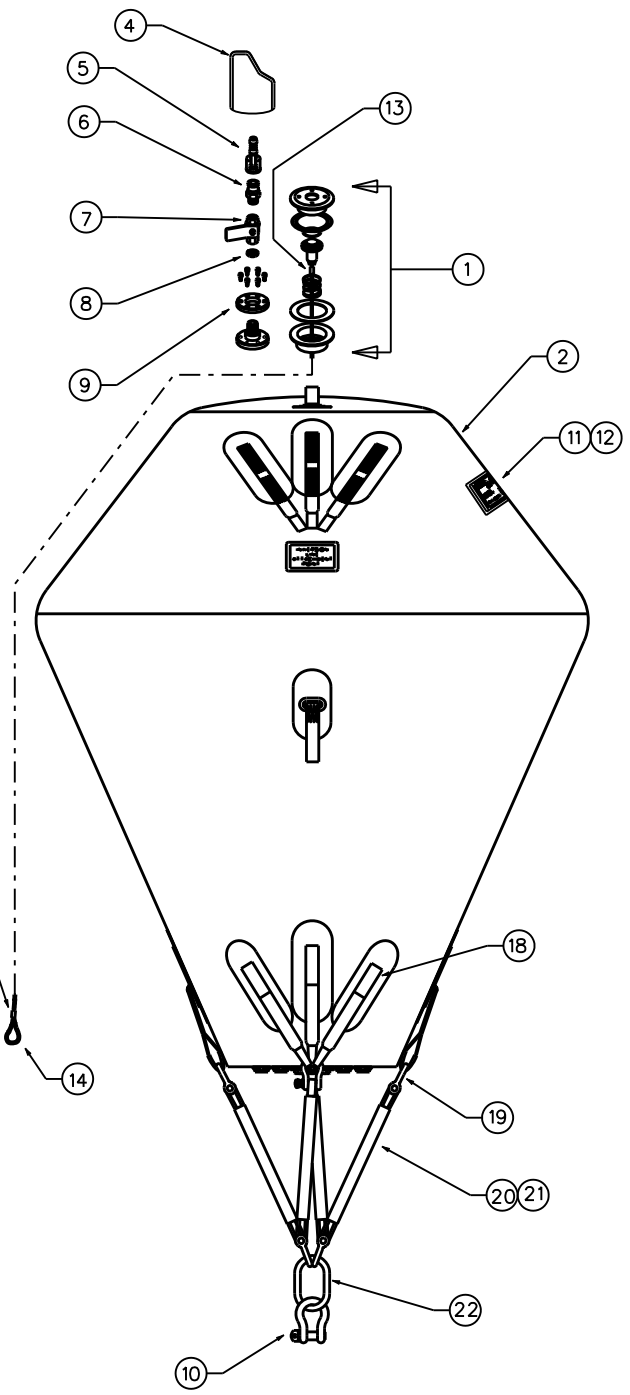
TOP



Inverter Point

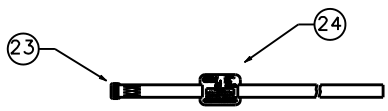


BOTTOM



Overall Height	4250mm
Overall Diameter	2200mm
Lift Capacity	5000Kg

Item No	Part No	BAAN No	Qty	Description	Remarks
1	D0433000000	711044	1	Large Dump Valve	
2	D0108039999	710370	8.0m	Yellow Material	3 x 3 P.V.C.
3	E0108031500	710273	5	Anchor Tab	Major
4	E0108038800	710199	1	External Cover	
5	D0416551240	711142	1	Brass Coupling	Hose Tail
6	D0416551230	711158	1	Brass Coupling	1/4BSP Male
7	D0440561316	710964	1	St/Stl Ball Valve	1/4BSP
8	D0413562900	711092	1	Brass Nut	1/4BSP
9	D0412560160	711143	1	1/4" Skin Fitting Male	
10	D0601510400	710760	1	Shackle	6.5T S.W.L.
11	E0102030816	710260	1	JW Label	Blue PVC
12	E0160175800	710202	2	Label Cover	Clear PVC
13	D0500539012	710250	2	Crimped Copper Ferrule	6.5mm
14	D0311700001	710729	6.95m	6mm Rope	
15	D0430690018	710977	1	4" Skin Fitting	
16	D0430690021	710974	1	4" Plug	To Take A10 Valve
17	D0407683320	711127	6	A10 Relief Valve	
18	E0201700402	711525	15	PR5 Side Straps	New Style
19	D0601510200	710764	6	Shackle	4.75T S.W.L.
20	E0201709223	711950	4	Bottom Strap	Round Sling
21	E0100803005	711294	4	Large Sleeve	
22	D0602510902	710765	1	Steel Link	6.5T S.W.L.
23	E0202708900	710903	1	Tie Strap	
24	E0102036010	N/A	1	Major Tie Strap Label	Blue PVC
25	E0102030818	711718	1	Inverter Point Label Lrg	Yellow PVC



Dimensions in MM Tolerance N/A		BAAN No. 711442
©SCHOLLE EUROPE LIMITED t/a J.W. Automarine 1972- Present. This article and drawing is protected by copyright and is the property of Scholle Europe Limited. It may not be copied, published, or used for any purpose other than that for which it has been supplied, except with the written permission of Scholle Europe Limited.		File Name PR5TE.DGN
Material See Parts List		Material See Parts List
Revisions Issue Date 1 4.12.06 2 30.11.07 3 16.12.09		Client J.W. Automarine
Scale 1:1		Drawing No CJW 06/064
On A1		Issue No 3
Checked		Sheet No 1 of 1
Date 16.12.09		Date 16.12.09
Title 5000kg Totally Enclosed Parachute Bag PR5TE		

