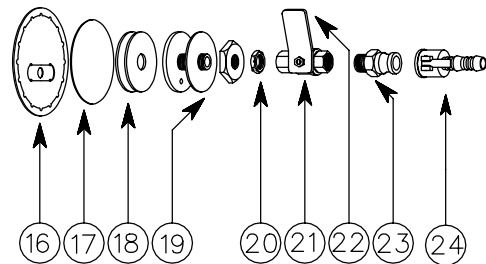


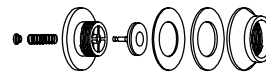
If In Doubt ASK !

Overall Length	1850mm
Overall Diameter	1000mm
Overall Height	1300mm
Lift Capacity	1000Kg

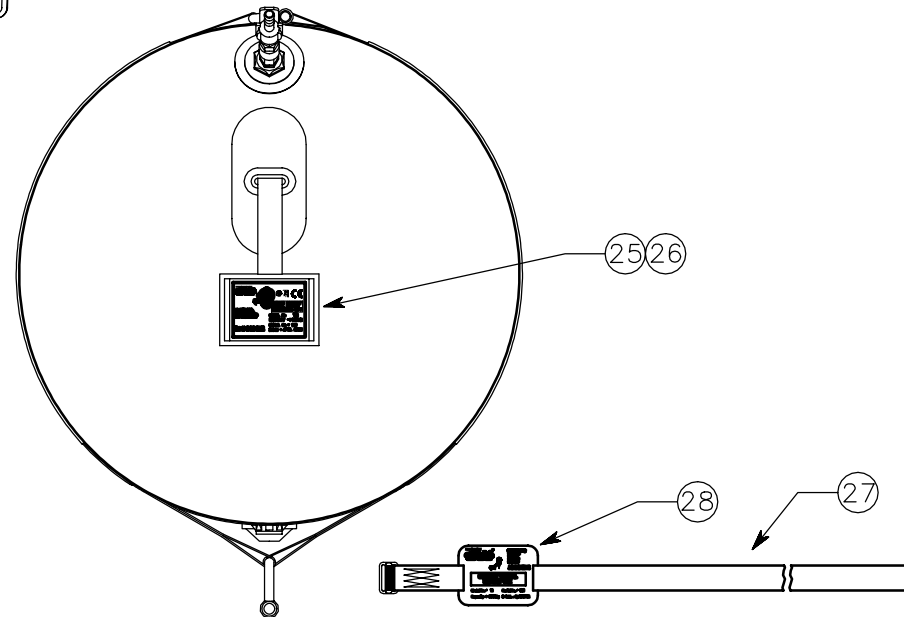
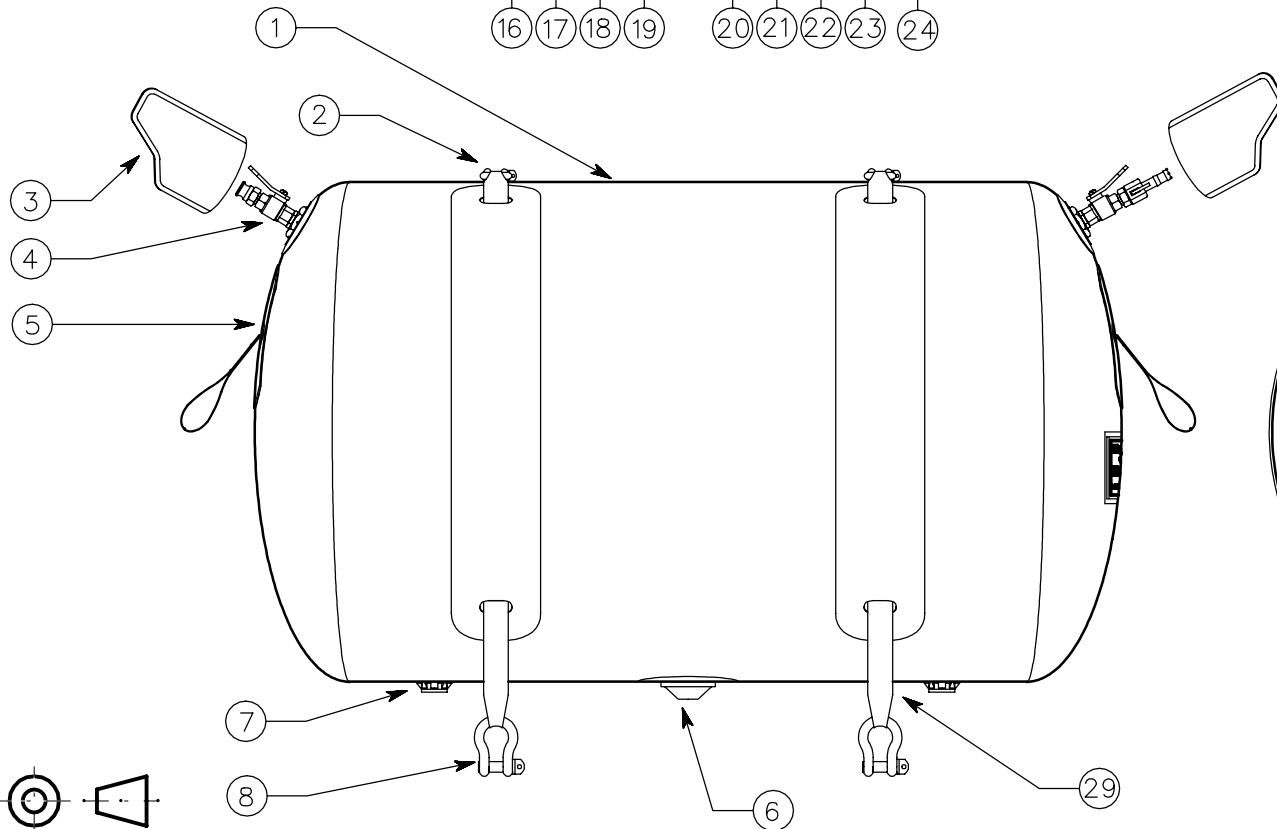
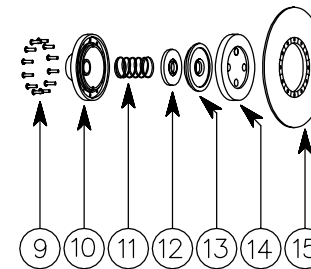
Exploded ISO View Of Inlet Valve



Exploded ISO View Of A10 Valve



Exploded ISO View Of A3 Relief Valve



Item No	Part No	Qty	Description	Remarks	Item No	Part No	Qty	Description	Remarks
1	D0108039999	N/A	3 x 3 Yellow P.V.C. Material		15	D0407598600	1	Weldable Flange	
2	D0601510180	2	2.00 Ton Shackle		16	E0108039000	2	Internal Valve Cover	
3	E0108038800	2	External Valve Cover	See Items 16 - 24	17	E0108031600	2	1/4 Inlet Patch	
4	N/A	2	Ball Valve Assembly		18	E0413633000	4	1/4 Inlet Gasket	
5	E0108031500	2	Anchor Tab	Major	19	D0413560000	2	1/4 Brass Inlet	1/4 B.S.P. Thread
6	N/A	N/A	A3 Relief Valve	See Items 9 - 15	20	D0413562900	2	1/4 Brass Nut	1/4 B.S.P. Thread
7	D0407683320	2	A10 Relief Valve	See ISO View	21	D0440561310	2	1/4 Ball Valve	1/4 B.S.P. Thread
8	D0601510200	2	4.75 Ton Shackle		22	D0440531311	2	Stainless Steel Handle	
9	D0407563700	1	Screw Set		23	D0416551230	2	1/4 Brass Male Coupling	1/4 B.S.P. Thread
10	D0407683100	1	Black Housing		24	D0416551240	1	Brass Hose Tail	
11	D0407523900	1	2 PSI Spring		25	E0102030816	1	JW Label	Blue PVC
12	D0407683200	1	Pressure Plate		26	E0160175800	1	Label Cover	Clear PVC
13	D0407643500	1	Internal Diaphragm		27	E0202709000	1	Major Medium Tie Strap	
14	D0407683300	1	Anchor Plate		28	E0102036005	1	Tie Strap Label	Blue PVC
					29	E0202700810	2	Side Straps	

Tolerance		File Name	
N/A		T1.DGN	
Material		Material	
N/A		N/A	

© SCHOLLE EUROPE LIMITED t/a Crestbury and J.W. Automarine 1972-2002. This article and drawing is protected by copyright and is the property of Scholle Europe Limited. It may not be copied, published, or used for any purpose other than that for which it has been supplied, except with the written permission of Scholle Europe Limited.

SCHOLLE EUROPE LTD.
t/a
automarine

Enterprise Way
Fakenham, Norfolk, NR21 8SN, England
Telephone: Fakenham (01328) 852300
Fax: Fakenham (01328) 854222
Email: sales@jwautomarine.co.uk

Drawn	Sig	Revisions	Issue	Date
		Drawn	1	1.6.82
		Redrawn	2	15.3.95
Scale	SBG	Dims Box	3	28.4.99
	1:6	Parts Box	4	23.4.01
On A1	SBG	Side Strap	5	12.7.01
Checked	SBG	Tie Strap Label	6	25.11.02

Client
JW Automarine

Drawing No	CJW82/23	Issue No	6
Sheet No	1 Of 1	Date	25.11.02

Title
T1 (1000 KG)