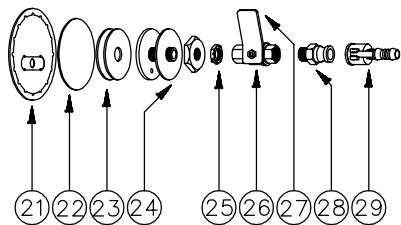


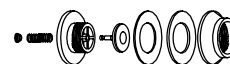
If In Doubt ASK !

Overall Length	2300mm
Overall Diameter	1230mm
Overall Height	1300mm
Lift Capacity	2000Kg

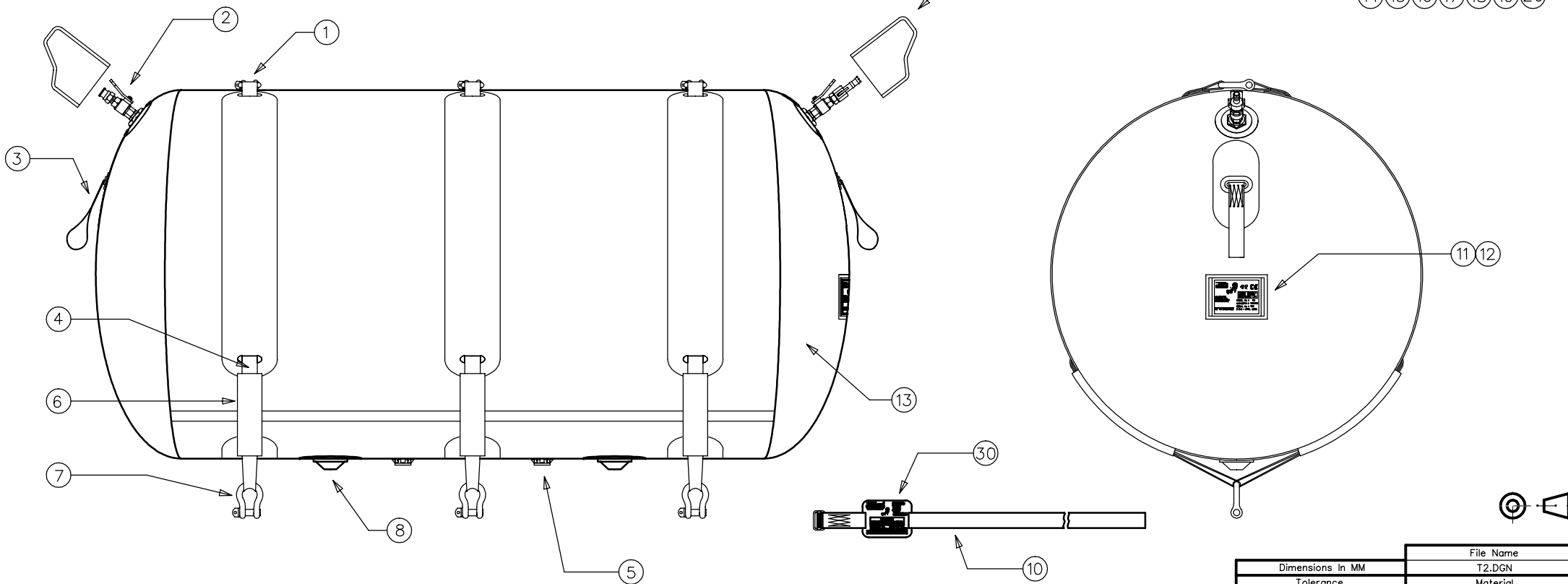
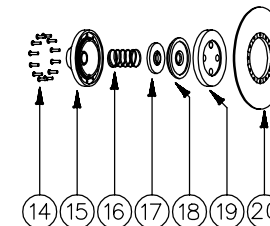
Exploded ISO View Of Inlet Valve



Exploded ISO View Of A10 Valve



Exploded ISO View Of A3 Relief Valve



Item No	Part No	Qty	Description	Remarks	Item No	Part No	Qty	Description	Remarks
1	D0601510100	3	3.25 Ton Shackle		16	D0407523900	2	PSI Spring	
2	N/A	2	Ball Valve Assembly	See Items 21 - 29	17	D0407683200	2	Pressure Plate	
3	E0108031500	6	Major Anchor Tab		18	D0407643500	2	Internal Diaphragm	
4	E0202701601	3	T2 Side Strap		19	D0407683300	2	Anchor Plate	
5	D0407683320	2	A10 Relief Valve	See ISO For Details	20	D0407598600	2	Weldable Flange	
6	E0108031302	6	Large Sleeve	Capacity Print	21	E0108039000	2	Internal Valve Cover	
7	D0601510200	3	4.75 Ton Shackle		22	E0108031600	2	3/4 Inlet Patch	
8	N/A	N/A	A3 Relief Valve	See Items 14 - 20	23	E0413633000	4	3/4 Inlet Gasket	
9	E0108038800	2	External Valve Cover		24	D0413560000	2	3/4 Brass Inlet	3/4 B.S.P. Thread
10	E0202709000	1	Major Medium Tie Strap		25	D0413562900	2	3/4 Brass Nut	3/4 B.S.P. Thread
11	E0102030816	1	JW Label	Blue PVC	26	D0440561310	2	3/4 Ball Valve	3/4 B.S.P. Thread
12	E0160175800	1	Label Cover	Clear PVC	27	D0440531311	2	Stainless Steel Handle	
13	D0108039999	N/A	3 x 3 Yellow P.V.C. Material		28	D0416551230	2	3/4 Brass Male Coupling	3/4 B.S.P. Thread
14	D0407563700	2	Screw Set		29	D0416551240	1	Brass Hose Tail	
15	D0407683100	2	Black Housing		30	E0102036010	1	Tie Strap Label	Blue PVC

Dimensions In MM	T2.DGN
Tolerance	Material
N/A	3 x 3 Yellow PVC
<small>© SCHOLLE EUROPE LIMITED t/a Crestbury and J.W. Automarine 1972-2003 .This article and drawing is protected by copyright and is the property of Scholle Europe Limited.It may not be copied, published, or used for any purpose other than that for which it has been supplied, except with the written permission of Scholle Europe Limited.</small>	
SCHOLLE EUROPE LTD. <small>t/a</small> automarine	
<small>Enterprise Way Fakenham, Norfolk, NR21 8SN, England Telephone: Fakenham 01328 852300 Fax: Fakenham 01328 854222 Email: sales@jwautomarine.co.uk</small>	

Drawn	Sig	Revisions	Issue	Date
		Hand Drawn	1	1.6.82
		CAD Drawn	2	4.8.00
Scale		Strap Change	3	24.4.01
N/A		Pt. No. Change	4	12.7.01
		Tie Strap Label	5	26.11.02
Checked				
Client				
J.W. Automarine				
		Drawing No	CJW 82/26	Issue No
		Sheet No	1 of 1	Date
				26.11.02

Title
T2 (2000 Kg)