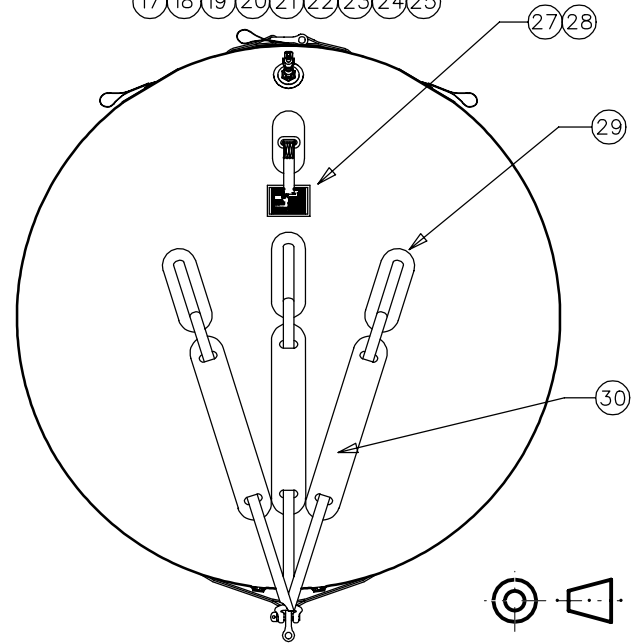
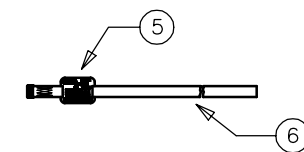
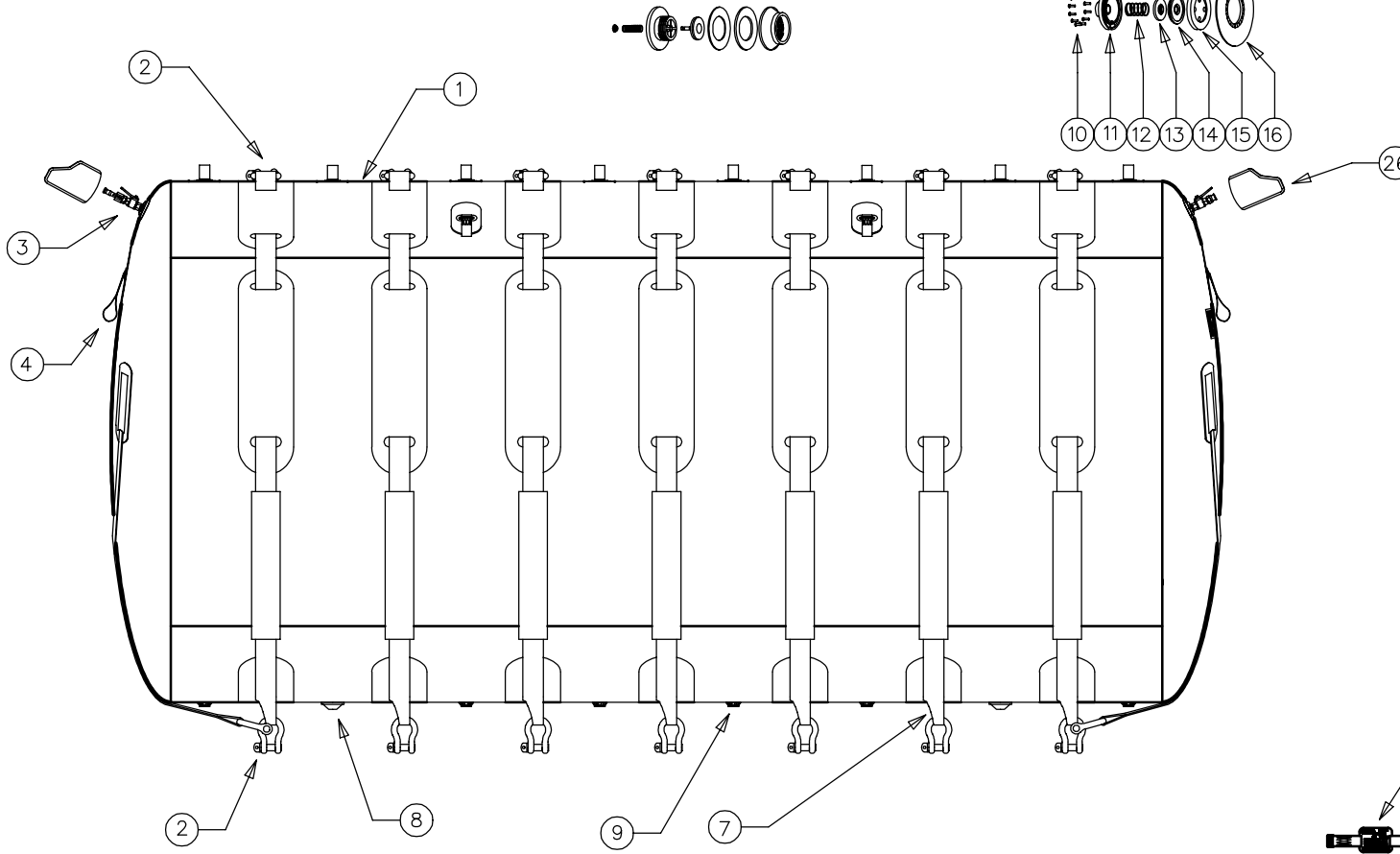


If In Doubt ASK !

Exploded ISO View Of A10 Valve

Exploded ISO View Of A3 Relief Valve

Exploded ISO View Of Inlet Valve



Overall Length	5000mm
Overall Diameter	2550mm
Overall Height	2800mm
Lift Capacity	25000Kg

Item No	Part No	Qty	Description	Remarks	Item No	Part No	Qty	Description	Remarks
1	D0108039999	N/A	P.V.C Material	3 x 3 Yellow	16	D0407598600	2	Weldable Flange	
2	D0601510300	16	6.5 Tonne Shackle		17	E0108039000	2	Internal Valve Cover	
3	N/A	2	Ball Valve Assembly	See Items 17 - 25	18	E0108031600	2	3/4Inlet Patch	
4	E0108031500	14	Major Anchor Tab		19	E0413633000	4	3/4Inlet Gasket	
5	E0102036010	1	Tie Strap Label		20	D0413560000	2	3/4Brass Inlet	3/4BSP Thread
6	E0202708800	1	Major XLarge Tie Strap		21	D0413562900	2	3/4Brass Nut	3/4BSP Thread
7	E0211709714	7	T25 Side Strap	100mm Webbing Simplex	22	D0440561310	2	3/4Ball Valve	3/4BSP Thread
8	N/A	2	A3 Relief Valve	See Items 10 - 16	23	D0440531311	2	Stainless Steel Handle	
9	D0407683320	12	A10 Relief Valve	See ISO View For Detail	24	D0416551230	2	3/4Brass Male Coupling	3/4BSP Thread
10	D0407563700	2	Screw Set		25	D0416551240	1	Brass Hose Tail	
11	D0407683100	2	Black Housing		26	E0108038800	2	External Valve Cover	
12	D0407523900	2	2 PSI Spring		27	E0102030816	1	JW Label	Blue PVC
13	D0407683200	2	Pressure Plate		28	E0160175800	1	Label Cover	Clear PVC
14	D0407643500	2	Internal Diaphragm		29	E0201705110	6	Restaint Strap	
15	D0407683300	2	Anchor Plate		30	E0104031205	6	Strap Sleeve	Type 1 Strap Panel

Dimensions In MM		File Name	
Tolerance		T25.DGN	
N/A		Material	
		3 x 3 Yellow P.V.C.	
<small>© SCHOLLE EUROPE LIMITED 1/a Crestbury and J.W. Automarine 1972-2003 .This article and drawing is protected by copyright and is the property of Scholle Europe Limited.It may not be copied, published, or used for any purpose other than that for which it has been supplied, except with the written permission of Scholle Europe Limited.</small>			
		<small>SCHOLLE EUROPE LTD. 1/A Fakenham, Norfolk, NR21 8SN, England Telephone: Fakenham (01328) 852300 Fax: Fakenham (01328) 864222 Email: sales@jwautomarine.co.uk</small>	

Drawn	Sig	Revisions	Issue	Date	Client			
SBG		Drawn	1	25.3.02	JW Automarine			
		Tie Strap Label	2	2.8.02				
		Update Pt. Box	3	3.12.02				
Scale	1:14				Drawing No	CJW 02/017	Issue No	3
On A1					Sheet No	1 Of 1	Date	3.12.02
Checked								

Title  
T25 (25000 Kg)