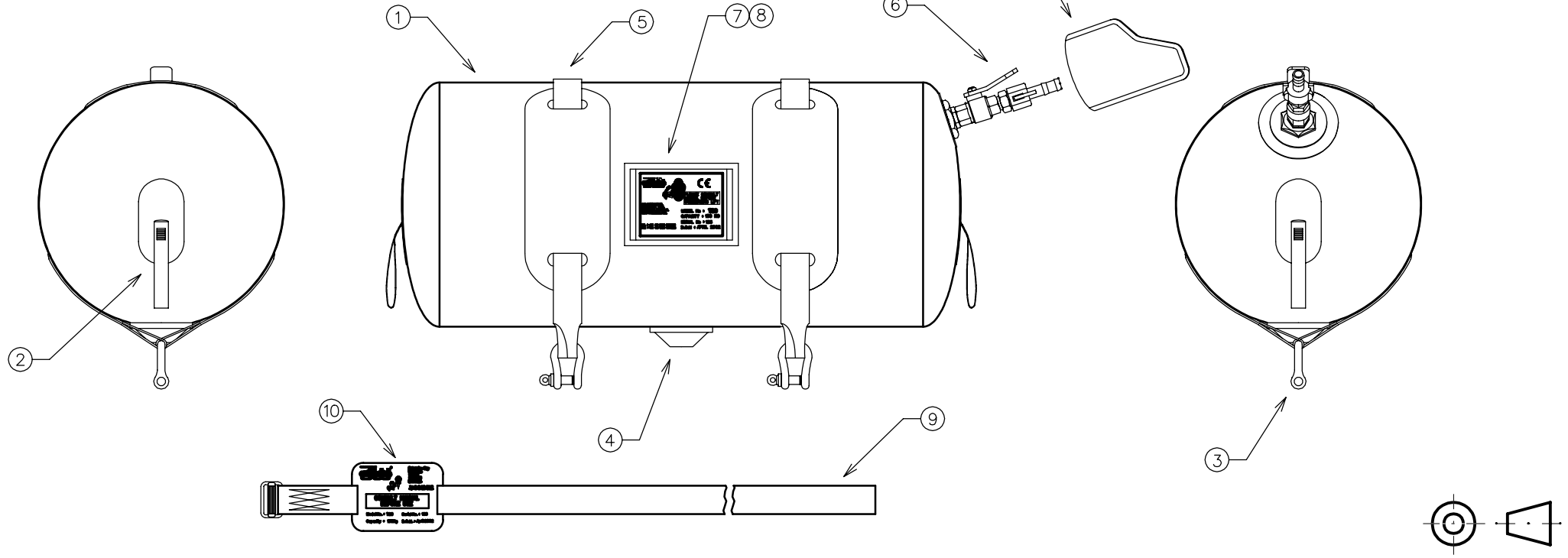
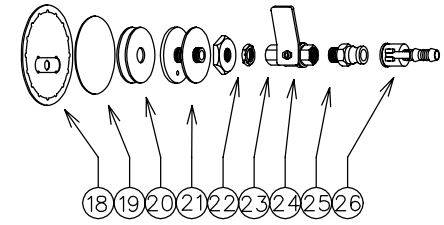
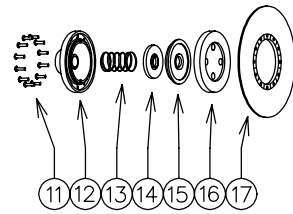


If In Doubt ASK !

Overall Length	930.0mm
Overall Diameter	430.0mm
Overall Height	550.0mm
Lift Capacity	100 Kg



Item No	Part No	Qty	Description	Remarks	Item No	Part No	Qty	Description	Remarks
1	D0104029999		2 x 2 PVC Material	Yellow	15	D0407643500	1	Internal Diaphragm	
2	E0104038900	2	Anchor Tab	Minor	16	D0407683300	1	Anchor Plate	
3	D0601510180	2	Shackle	2.0 Tonne SWL	17	D0407598600	1	Weldable Flange	
4	N/A	1	A3 Relief Valve	See Items 11 - 17	18	E0108039000	1	Internal Valve Cover	
5	E0202705013	2	Side Strap	T2C Type	19	E0108031600	1	3/4Inlet Patch	
6	N/A	1	3/4Inlet Valve Assembly	See Items 18 - 26	20	E0413633000	2	3/4Inlet Gasket	
7	E0102030816	1	JW Label	Blue PVC	21	D0413560000	1	3/4Brass Inlet	3/4BSP Thread
8	E0160175800	1	Label Cover	Clear PVC	22	D0413562900	1	3/4Brass Nut	3/4BSP Thread
9	E0202709600	1	Major Small Tie Strap		23	D0440451310	1	3/4Ball Valve	3/4BSP Thread
10	E0102036005	1	Tie Strap Label	Blue PVC	24	D0440531311	1	Stainless Steel Handle	
11	D0407563700	1	Screw Set		25	D0416551230	1	3/4Brass Male Coupling	3/4BSP Thread
12	D0407683100	1	Black Housing		26	D0416551240	1	Brass Hose Tail	
13	D0407523900	1	2 PSI Spring		27	E0108038800	1	External Valve Cover	
14	D0407683200	1	Pressure Plate						

Dimensions in MM				File Name	
Tolerance				T2C.DGN	
N/A				Material	
				See Parts Box	
<small>© SCHOLLE EUROPE LIMITED t/a Crestbury and J.W. Automarine 1972-2003 .This article and drawing is protected by copyright and is the property of Scholle Europe Limited.it may not be copied, published, or used for any purpose other than that for which it has been supplied, except with the written permission of Scholle Europe Limited.</small>					
				<small>SCHOLLE EUROPE LTD. t/a</small> <small>Enterpr:1aa May Fakenham,Norfolk,NR21 8SN,England</small> <small>Telephone: Fakenham(01328)852300</small> <small>Fax Fakenham(01328)864222</small> <small>Email sales@jwautomarine.co.uk</small>	

Drawn	Sig	Revisions	Issue	Date	Client			
SBG	JR	Drawn	1	27.9.82	J.W. Automarine			
	SBG	Redrawn	2	22.5.01	Drawing No	CJW 82/20	Issue No	3
Scale	SBG	Tie Strap Label	3	22.11.02	Sheet No	1 Of 1	Date	22.11.02
1:4								
On A1								
Checked								

Title
T2C (100 Kg)