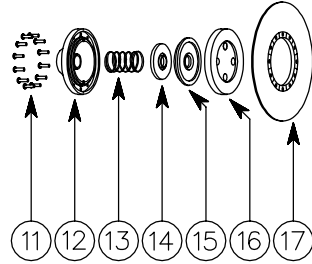


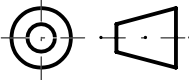
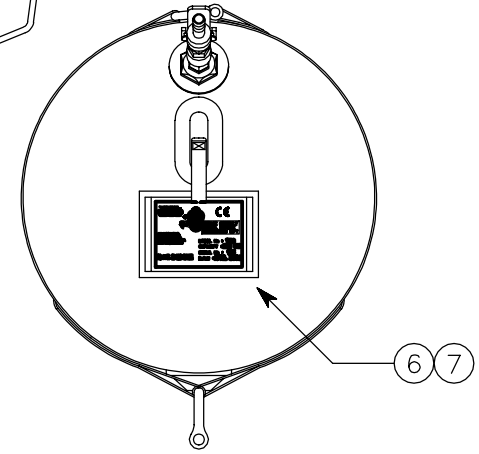
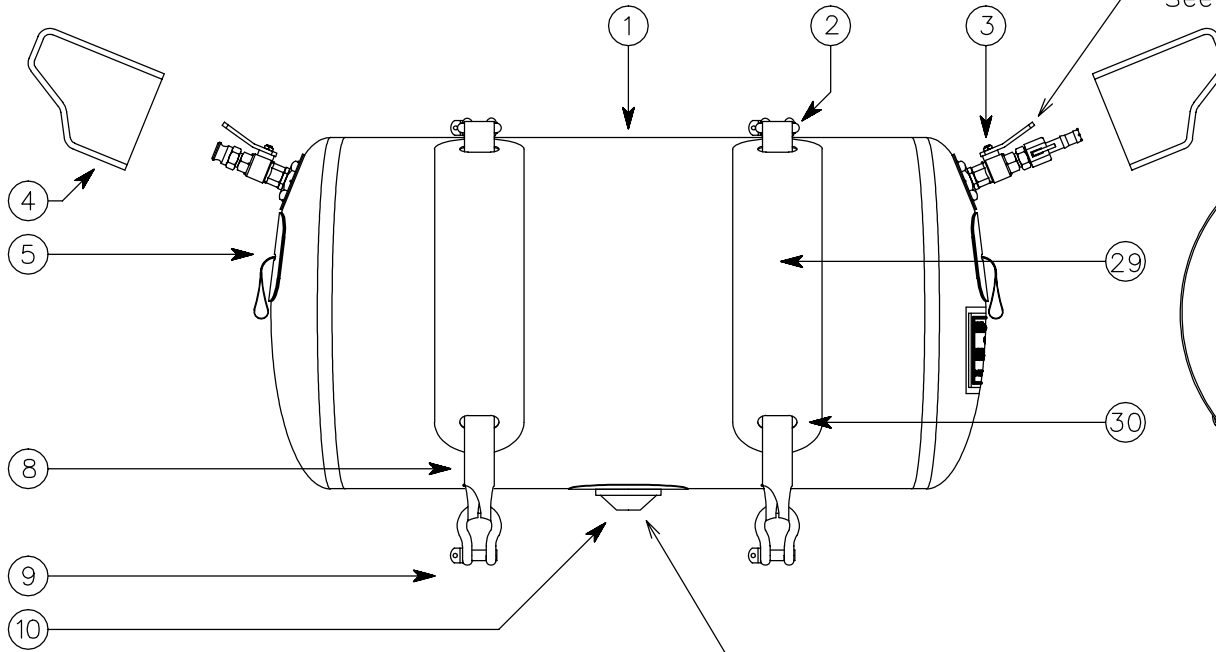
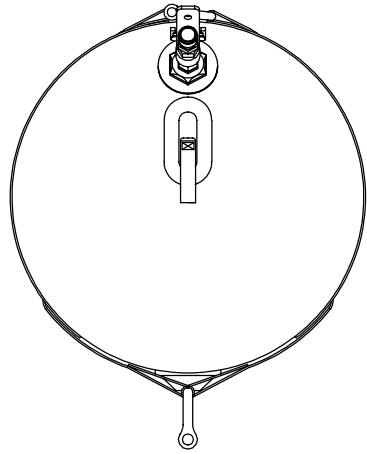
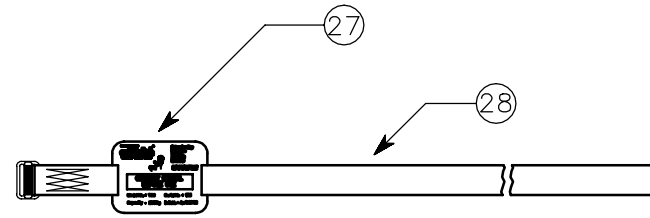
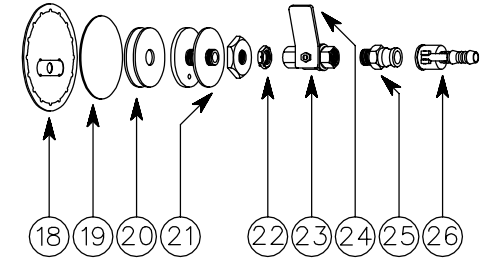
If In Doubt ASK !

| | |
|------------------|----------|
| Overall Length | 1150.0mm |
| Overall Diameter | 680.0mm |
| Overall Height | 750.0mm |
| Lift Capacity | 250.0Kg |

Exploded ISO View Of A3 Relief Valve



Exploded ISO View Of Inlet Valve



| Item No | Part No | Qty | Description | Remarks | Item No | Part No | Qty | Description | Remarks |
|---------|-------------|-----|------------------------------|-------------------|---------|-------------|-----|-------------------------|-------------------|
| 1 | D0104029999 | N/A | 2 x 2 Yellow P.V.C. Material | Body | 16 | D0407683300 | 1 | Anchor Plate | |
| 2 | D0601510180 | 2 | 2.0 Ton Shackle | | 17 | D0407598600 | 1 | Weldable Flange | |
| 3 | N/A | 2 | Ball Valve Assembly | See Items 18 - 26 | 18 | E0108039000 | 2 | Internal Valve Cover | |
| 4 | E0108038800 | 2 | External Valve Cover | | 19 | E0108031600 | 2 | 3/4 Inlet Patch | |
| 5 | E0104038900 | 2 | Minor Anchor Tab | | 20 | E0413633000 | 4 | 3/4 Inlet Gasket | |
| 6 | E0102030816 | 1 | JW Label | Blue P.V.C. | 21 | D0413560000 | 2 | 3/4 Brass Inlet | 3/4 B.S.P. Thread |
| 7 | E0160175800 | 1 | Label Cover | Clear P.V.C. | 22 | D0413562900 | 2 | 3/4 Brass Nut | 3/4 B.S.P. Thread |
| 8 | E0202705014 | 2 | Side Straps | 50mm Webbing | 23 | D0440451310 | 2 | 3/4 Ball Valve | 3/4 B.S.P. Thread |
| 9 | D0601510100 | 2 | 3.25 Ton Shackle | | 24 | D0440531311 | 2 | Stainless Steel Handle | |
| 10 | N/A | 1 | A3 Relief Valve | See Items 11-17 | 25 | D0416551230 | 2 | 3/4 Brass Male Coupling | 3/4 B.S.P. Thread |
| 11 | D0407563700 | 1 | Screw Set | | 26 | D0416551240 | 1 | Brass Hose Tail | |
| 12 | D0407683100 | 1 | Black Housing | | 27 | E0102036005 | 1 | Tie Strap Label | Blue P.V.C. |
| 13 | D0407523900 | 1 | 2 PSI Spring | | 28 | E0202709600 | 1 | Major Small Tie Strap | |
| 14 | D0407683200 | 1 | Pressure Plate | | 29 | F434 | 4 | Automarine Screen Print | |
| 15 | D0407643500 | 1 | Internal Diaphragm | | 30 | E0108033402 | 8 | 85mm Dia Patch | |

| | | | |
|--|--|--|--|
| Dimensions In MM | | File Name | |
| Tolerance | | T5C.DGN | |
| N/A | | Material | |
| N/A | | N/A | |
| <small>© SCHOLLE EUROPE LIMITED t/a Crestbury and J.W. Automarine 1972-2003 .This article and drawing is protected by copyright and is the property of Scholle Europe Limited.it may not be copied, published, or used for any purpose other than that for which it has been supplied, except with the written permission of Scholle Europe Limited.</small> | | | |
| | | <small>Enterprize Way Fakenham,Norfolk,NR21 8SN,England Telephone:Fakenham013287852300 Fax :Fakenham013287854222 Email :sales@jwautomarine.co.uk</small> | |

| Drawn | Sig | Revisions | Issue | Date | Client | | | |
|---------|-----|-----------------|-------|----------|-----------------|-----------|----------|----------|
| ajd | | Drawn | 1 | 1.6.82 | J.W. Automarine | | | |
| | | Updated | 2 | 14.6.94 | | | | |
| Scale | SBG | New Straps | 3 | 21.5.01 | J.W. Automarine | | | |
| 1:5 | SBG | Tie Strap Label | 4 | 22.11.02 | | | | |
| On A1 | | | | | Drawing No | CJW 82/21 | Issue No | 4 |
| Checked | | | | | Sheet No | 1 Of 1 | Date | 22.11.02 |

Title
T5C (250 Kg)