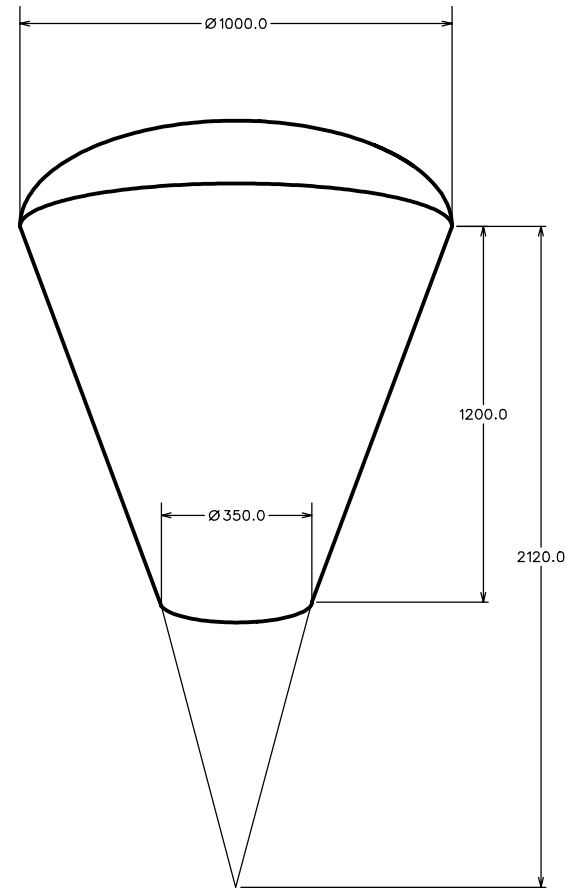
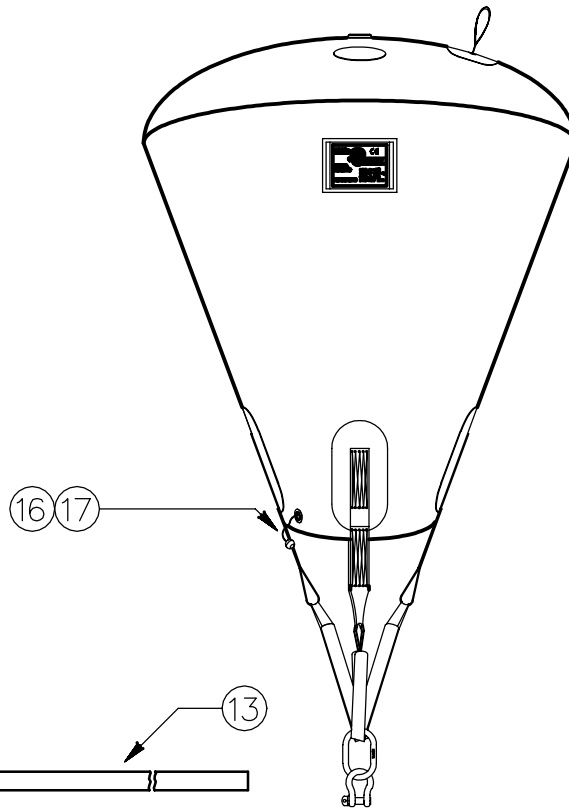
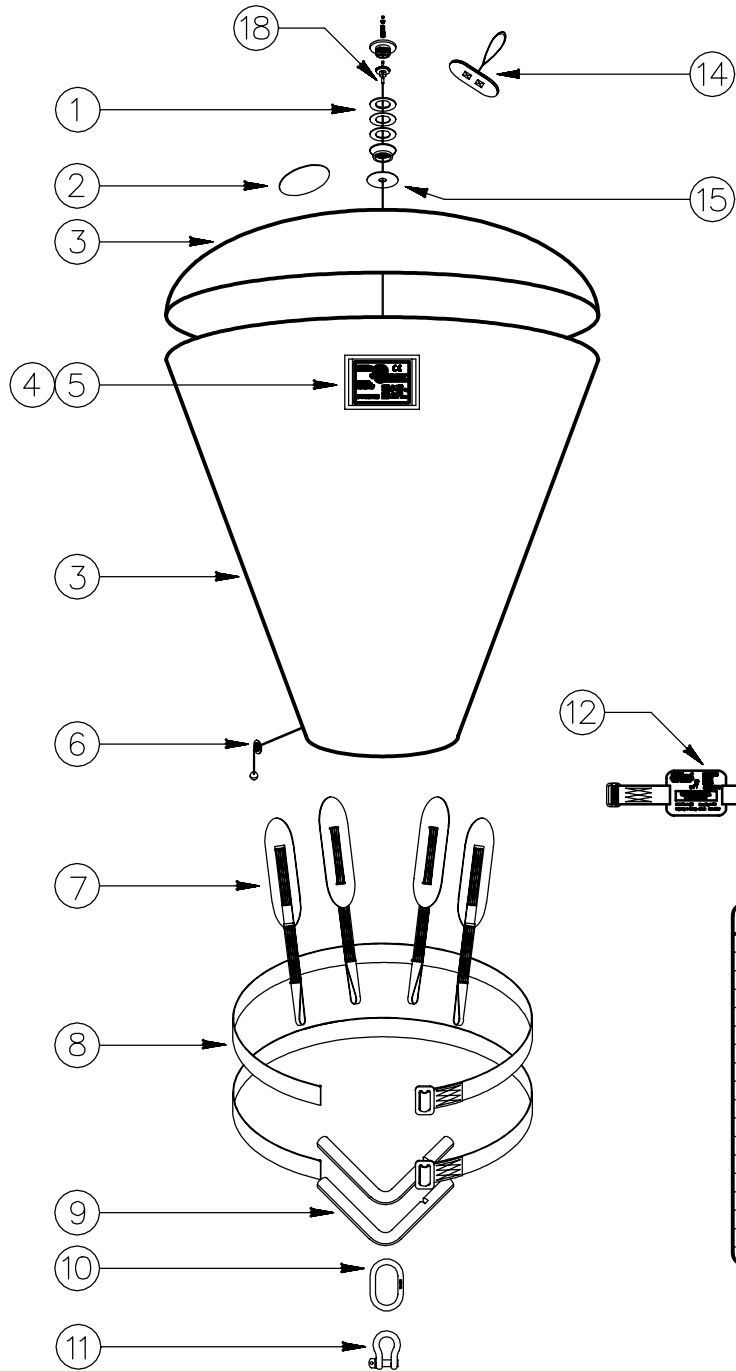


If In Doubt ASK !



Item No	Part No	Qty	Description	Remarks
1	D0407683312	1	Dump Valve	A10 Modified
2	E0108031600	1	3/4 Inlet Patch	
3	D0104029999		Bag Material	2 X 2
4	E0102030816	1	JW Label	Blue PVC
5	E0160175800	1	Label Cover	Clear PVC
6	D0500590400	1	Eyelet	15/37
7	E0202700100	4	Side Straps	
8	E0202705000	2	Bottom Straps	
9	E0104031200	2	Sleeve	2 X 2
10	D0602510600	1	4.0 T Link	
11	D0601510100	1	3.25T Shackle	
12	E0102036005	1	Tie Strap Label	Blue PVC
13	E0202709600	1	Tie Strap	Small
14	E0104038900	1	Anchor Tab	Minor
15	E0108033400	1	Patch	
16	D0306710000	1.9	3mm Rope	Reinforcing
17	D0436273037	1	Toggle	Black
18	D0500539011	1	Crimped Copper Ferrule	3mm

Tolerance		File Name	
N/A		M10_NEW.DGN	
Material		Material	
2x2 Yellow PVC		2x2 Yellow PVC	
<small>© SCHOLLE EUROPE LIMITED t/a Crestbury and J.W. Automarine 1972-2003. This article and drawing is protected by copyright and is the property of Scholle Europe Limited. It may not be copied, published, or used for any purpose other than that for which it has been supplied, except with the written permission of Scholle Europe Limited.</small>			
<small>Enterprise Way Fakenham, Norfolk, NR21 8SN, England Telephone: Fakenham (01328) 852300 Fax: Fakenham (01328) 864222 Email: sales@jwautomarine.co.uk</small>			

Drawn	Sig	Revisions	Issue	Date	Client
<i>Thomas</i>		Straps	3	24.11.83	
		Part Nos	4	3.11.89	
		Scale	Redrawn	5	13.10.93
		1:6	SBG Updated	6	28.11.01
		On A1	SBG Strap Label	7	25.4.02
		Checked	SBG Dims Changes	8	11.11.02
Drawing No		CJW 83/55		Issue No	8
Sheet No		1 Of 1		Date	11.11.02

NATO Stock No.	Title
4220-99-774-4263	M10