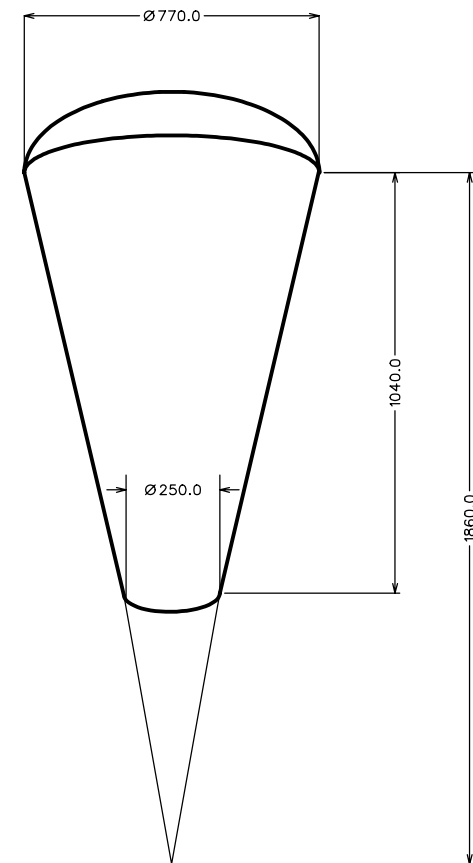
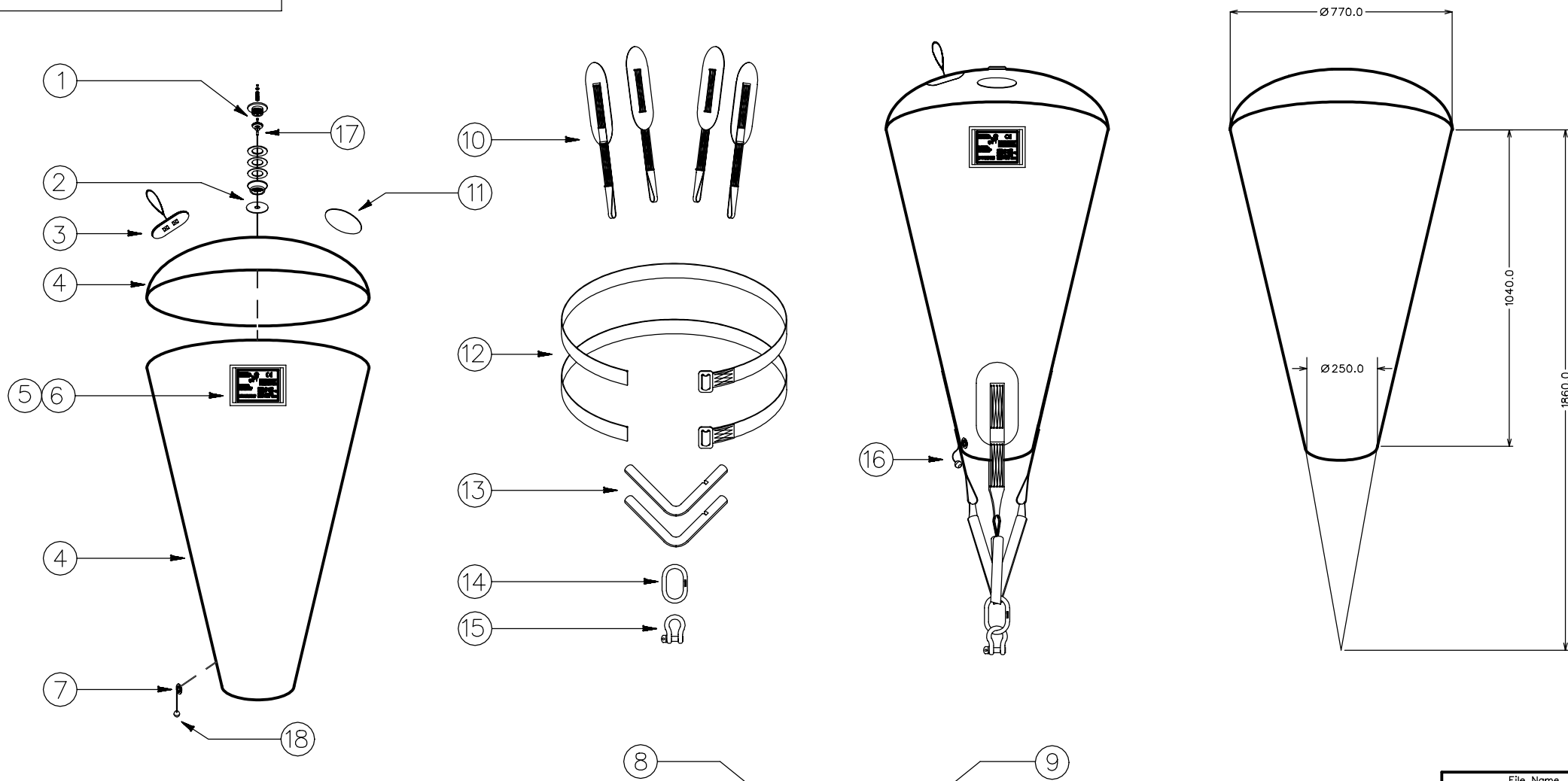
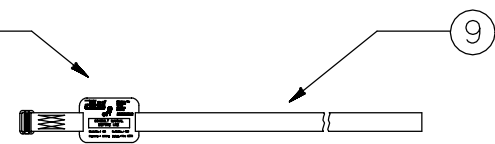


If In Doubt ASK !



Item No	Part No	Qty	Description	Remarks
1	D0407683312	1	Valve	A10 Modified
2	E108033402	1	Patch	Reinforcing
3	E0104038900	1	Anchor Tab	Minor
4	D0104029999	1	Bag Material	2 X 2 PVC
5	E0102030816	1	JW Label	Blue PVC
6	E0160175800	1	Label Cover	Clear PVC
7	D0500590400	1	Eyelet	
8	E0102036005	1	Tie Strap Label	Blue PVC
9	E0202709600	1	Tie Strap M/S	
10	E0202700100	4	Side Strap	
11	E0108031600	1	3/4 Valve Inlet Patch	3 X 3 PVC
12	E0202705000	2	Bottom Strap	
13	E0104031200	2	Sleeve	2 X 2 PVC
14	D0602510600	1	4.0 Ton Link	
15	D0601510100	1	3.25T Shackle	
16	D0306710000	1.9	Valve Rope	3mm Rope
17	D0500539011	1	Crimped Copper Ferrule	3mm
18	D0436273037	1	Toggle	Black



Tolerance		N/A	
© SCHOLLE EUROPE LIMITED t/a Crestbury and J.W. Automarine 1972-2003 .This article and drawing is protected by copyright and is the property of Scholle Europe Limited.it may not be copied, published, or used for any purpose other than that for which it has been supplied, except with the written permission of Scholle Europe Limited.		SCHOLLE EUROPE LTD. Crestbury automarine Enterprises Way Fakenham,Norfolk,NR21 8SN,England Telephone Fakenham(01328)852300 Fax Fakenham(01328)864222 Email sales@jwautomarine.co.uk	
Drawn	Sig	Revisions	Issue Date
		Revised	3 11.4.89
		Straps+Print	4 5.10.93
Scale	AJD	Updated	5 8.7.98
N.T.S.	SBG	New Valve	6 28.11.01
	SBG	Strap Label	7 24.4.02
Checked	SBG	Dims Changes	8 11.11.02
Client		JW Automarine	
Drawing No	CJW83/34	Issue No	8
Sheet No	1 Of 1	Date	11.11.02

Title
M5