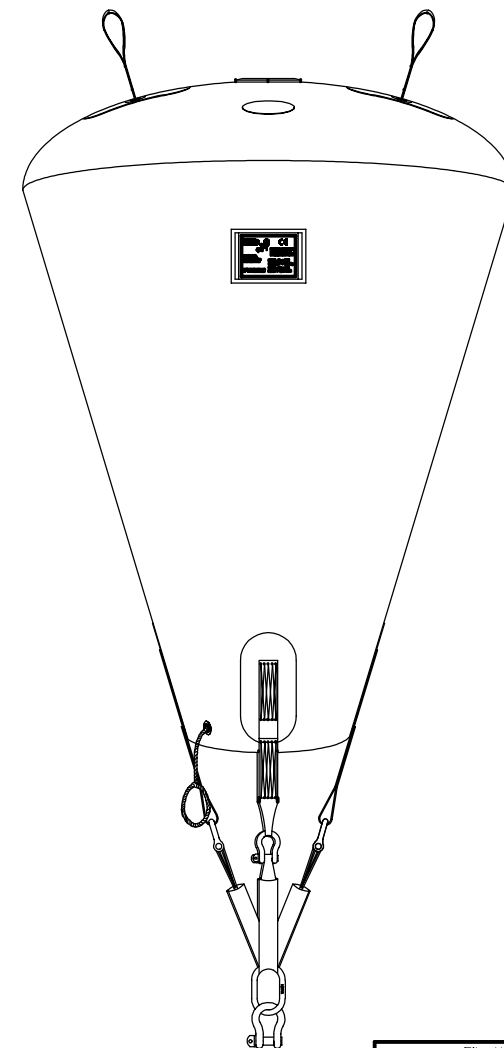
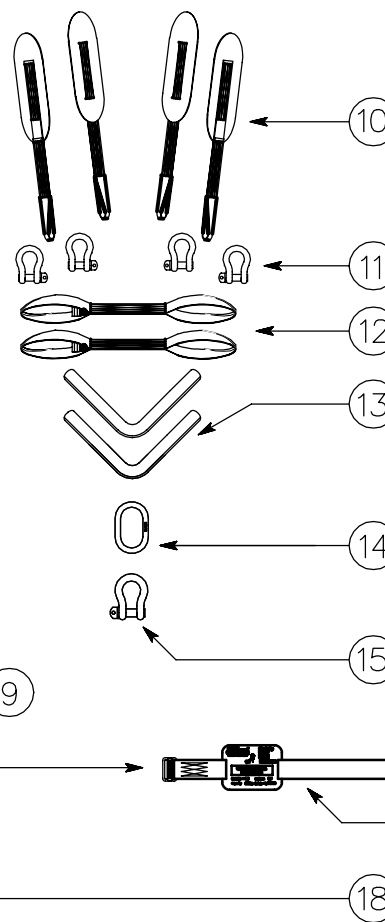
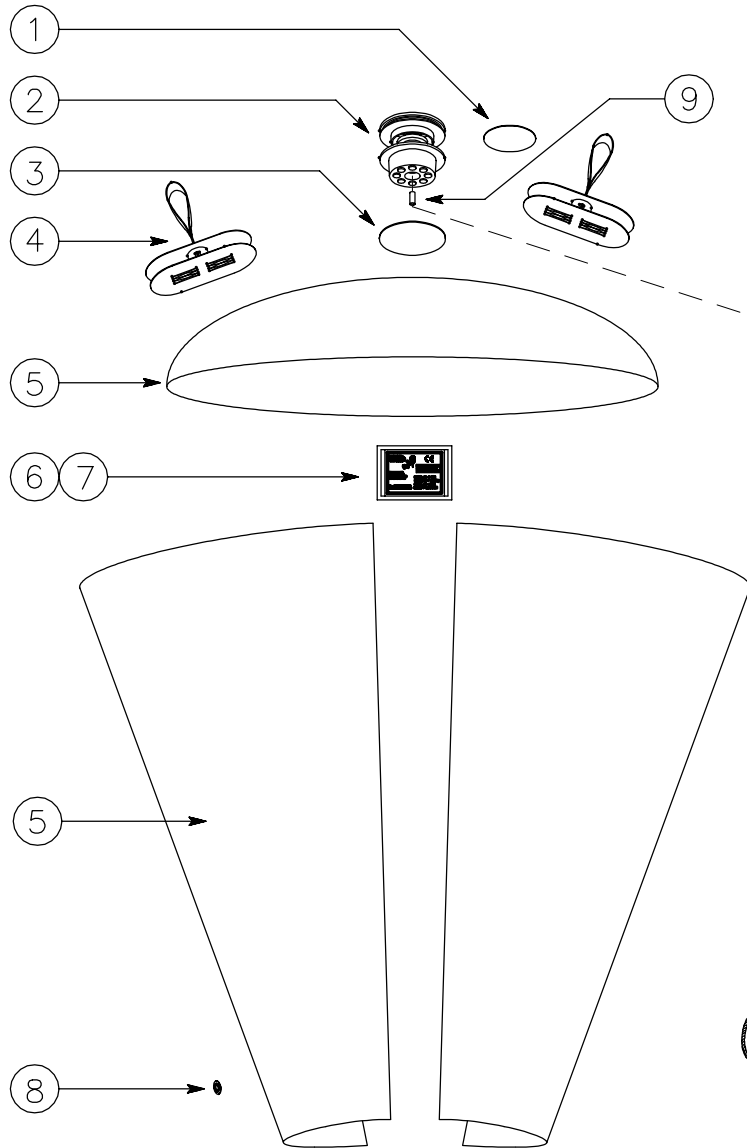



If In Doubt ASK !

Overall Height	2380mm
Overall Diameter	1300mm
Lift Capacity	1000Kg

Item No	Part No	Qty	Description	Remarks
1	E0108031600	1	Patch 3/4inlet	
2	D043300000	1	Large Dump Valve	
3	E0108031800	1	Dump Valve Patch	7"
4	E0108031500	2	Anchor Tab	Major
5	D0108039999	-	Bag Material	3 X 3
6	E0102030818	1	JW Label	Blue PVC
7	E0160175800	1	Label Cover	Clear PVC
8	D0500590400	1	Eyelet	15/37 Inch
9	D0500539012	2	Crimped Copper Ferrule	6.5mm
10	E0202701700	4	Side Strap	
11	D0601510180	4	2.0 Tonne Shackle	
12	E0202700110	2	Bottom Strap	
13	E0104031201	2	Medium Sleeve	2 X 2
14	D0602510600	1	4.0 T Link	
15	D0601510200	1	4.75 T Shackle	
16	E0202709000	1	Tie Strap	Major Medium
17	E0102036005	1	Major Tie Strap Label	Blue PVC
18	D0311700001	3.25	6mm Rope	



Tolerance	Material
N/A	N/A
<small>© SCHOLLE EUROPE LIMITED t/a Crestbury and J.W. Automarine 1972-2002. This article and drawing is protected by copyright and is the property of Scholle Europe Limited. It may not be copied, published, or used for any purpose other than that for which it has been supplied, except with the written permission of Scholle Europe Limited.</small>	
SCHOLLE EUROPE LTD. <small>T/A</small>  <small>Enterprise Way Fakenham, Norfolk, NR21 8SN, England Telephone Fakenham (01329) 852300 Fax Fakenham (01329) 864222 Email sales@jwautomarine.co.uk</small>	

Drawn	Sig	Revisions	Issue	Date	Client
<i>James</i>		Redrawn	3	9.11.89	JW AUTOMARINE
		Material Change	4	7.11.90	
		Lifting Straps	5	22.2.94	Drawing No CJW 83/36 Issue No 7
		1:8 SBG Dims Box	6	28.4.99	
		On A1 SBG Copper Ferrule	7	18.4.02	Sheet No 1 OF 1 Date 18.4.02
Checked					

Nato Stock No.
4220-99-774-4264

Title
PR1