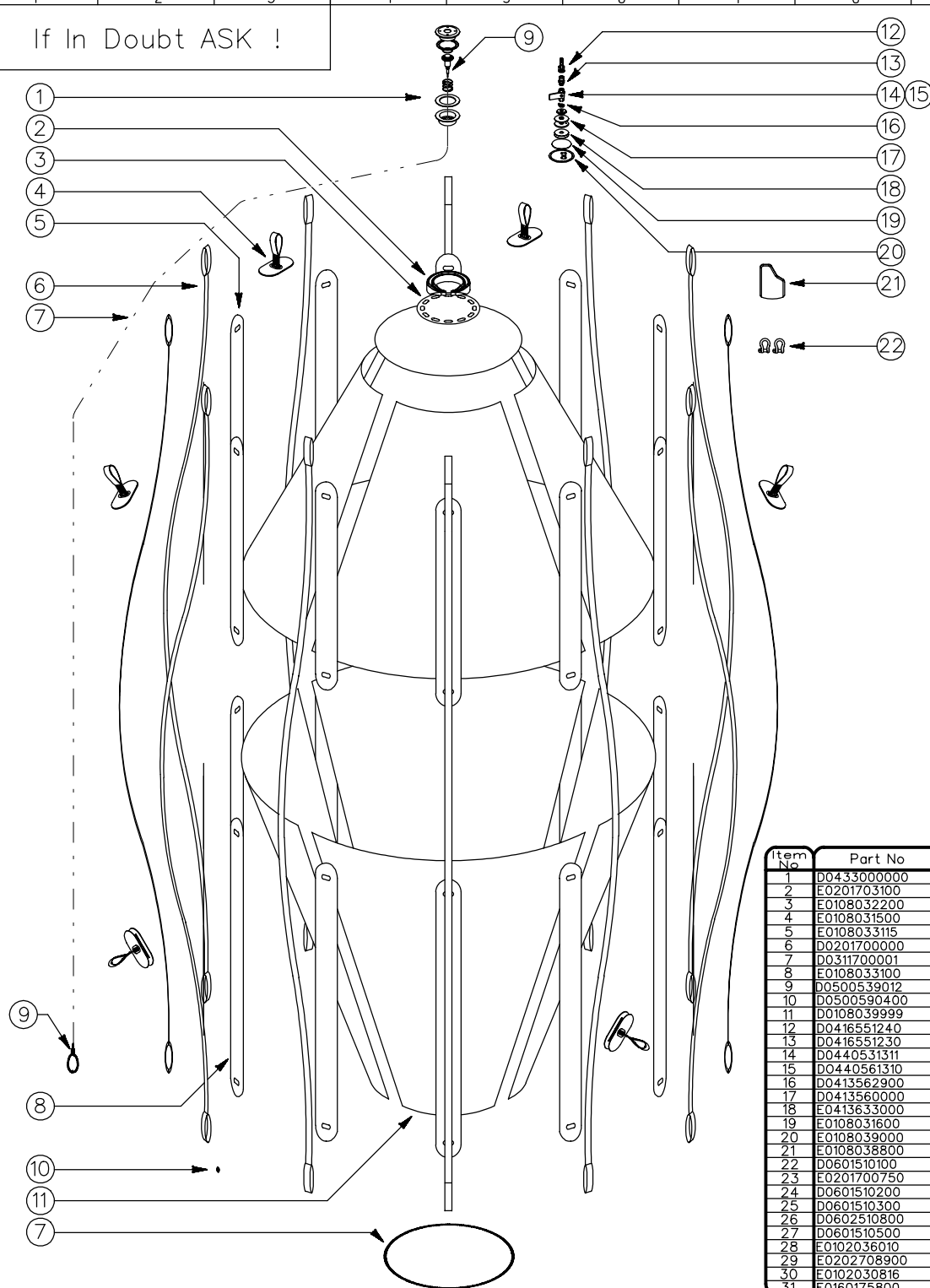
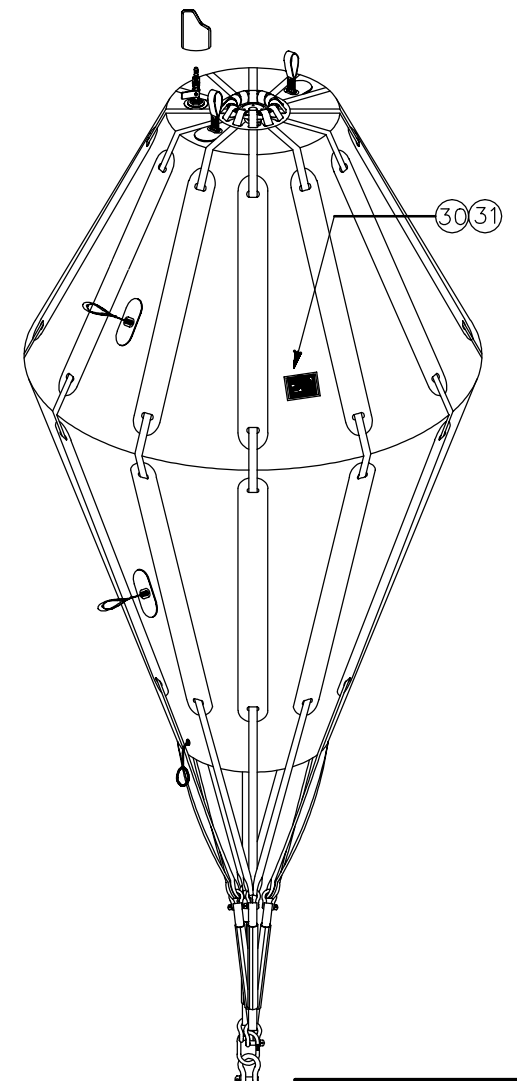
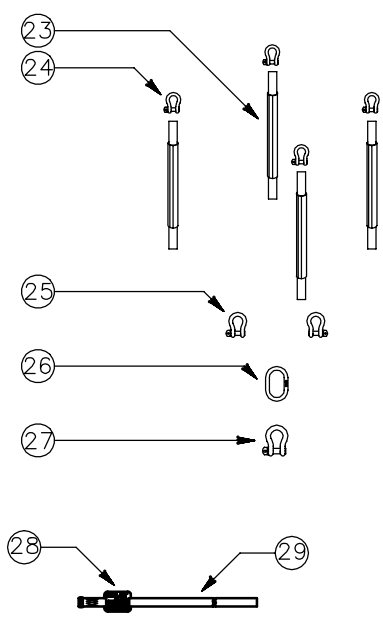


If In Doubt ASK !



Overall Height	4850mm
Overall Diameter	2760mm
Lift Capacity	10000Kg



Item No	Part No	Qty	Description	Remarks
1	D043300000	1	Large Dump Valve	
2	E0201703100	1	Cradle Strap PR10	
3	E0108032200	1	Cradle Patch	PR3 PR5 PR10
4	E0108031500	6	Anchor Tab Major	
5	E0108033115	12	Screen Patch	Type 7
6	D0201700000	70.8	50mm Webbing	Thick
7	D0311700001	9.10	6mm Rope	
8	E0108033100	12	Screen Patch	Type 4
9	D0500539012	2	Crimped Copper Ferrule	1000 Kg
10	D0500590400	1	Weldable Eyelet	15/37 In
11	D0108039999	11.63	Yellow Material	3 x 3 Yellow PVC
12	D0416551240	1	Brass Coupling	Hose Tail
13	D0416551230	1	Brass Coupling	3/4" BSP Male
14	D0440531311	1	Handle	St/Stl
15	D0440561310	1	Ball Valve	3/4" BSP
16	D0413562900	1	Brass Nut	3/4" BSP
17	D0413560000	1	Brass Flange	3/4" BSP
18	E0413633000	2	Inlet Gasket	
19	E0108031600	1	Inlet Patch	
20	E0108039000	1	Internal Cover	
21	E0108038800	1	External Cover	
22	D0601510100	2	Shackle For Cradle	3.25T SWL
23	E0201700750	4	Bottom Strap	inc. Sleeve
24	D0601510200	4	Shackle	4.75T SWL
25	D0601510300	2	Shackle	6.50T SWL
26	D0602510800	1	Steel Link	10.0T SWL
27	D0601510500	1	Shackle	12.0T SWL
28	E0102036010	1	Major Tie Strap Label	Blue PVC
29	E0202708900	1	Tie Strap	Major Large
30	E0102030816	1	JW Label	Blue PVC
31	E0160175800	1	Label Cover	Clear PVC

Dimensions In MM		File Name	
Tolerance		PR10.DGN	
N/A		Material	
N/A		N/A	
© SCHOLLE EUROPE LIMITED t/a Crestbury and J.W. Automarine 1972-2003 .This article and drawing is protected by copyright and is the property of Scholle Europe Limited.it may not be copied, published, or used for any purpose other than that for which it has been supplied, except with the written permission of Scholle Europe Limited.		SCHOLLE EUROPE LTD. t/a Enterprize Way Fakenham, Norfolk, NR21 8SN, England Telephone: Fakenham 013281852300 Fax: Fakenham 013281864222 Email: sales@jwautomarine.co.uk	
Drawn	Sig	Revisions	Issue Date
AJD		No Of Panels	4 11.5.92
Scale	SBG	Dims Box	5 29.4.99
1:18	SBG	Strap Label	6 9.5.02
Checked		Client	
JR		JW Automarine	
Drawing No	CJW 82/18	Issue No	6
Sheet No	1 of 1	Date	9.5.02

Title  
PR10 (10000 KG)