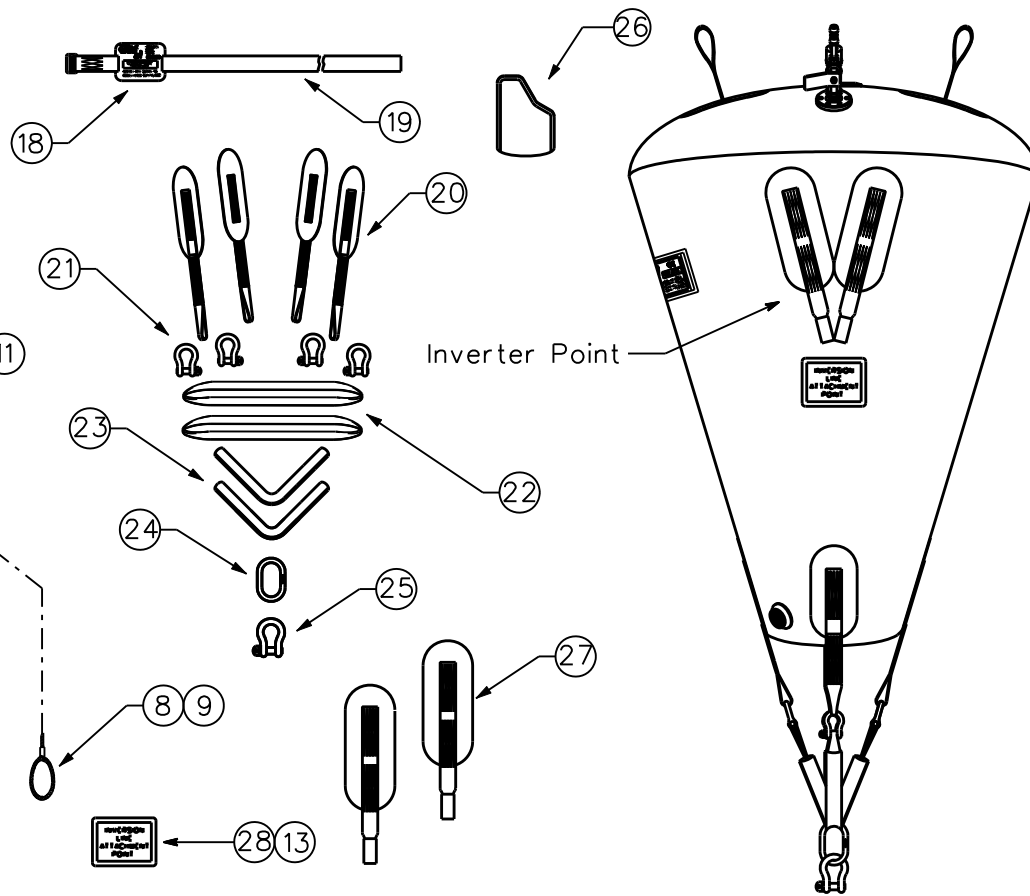
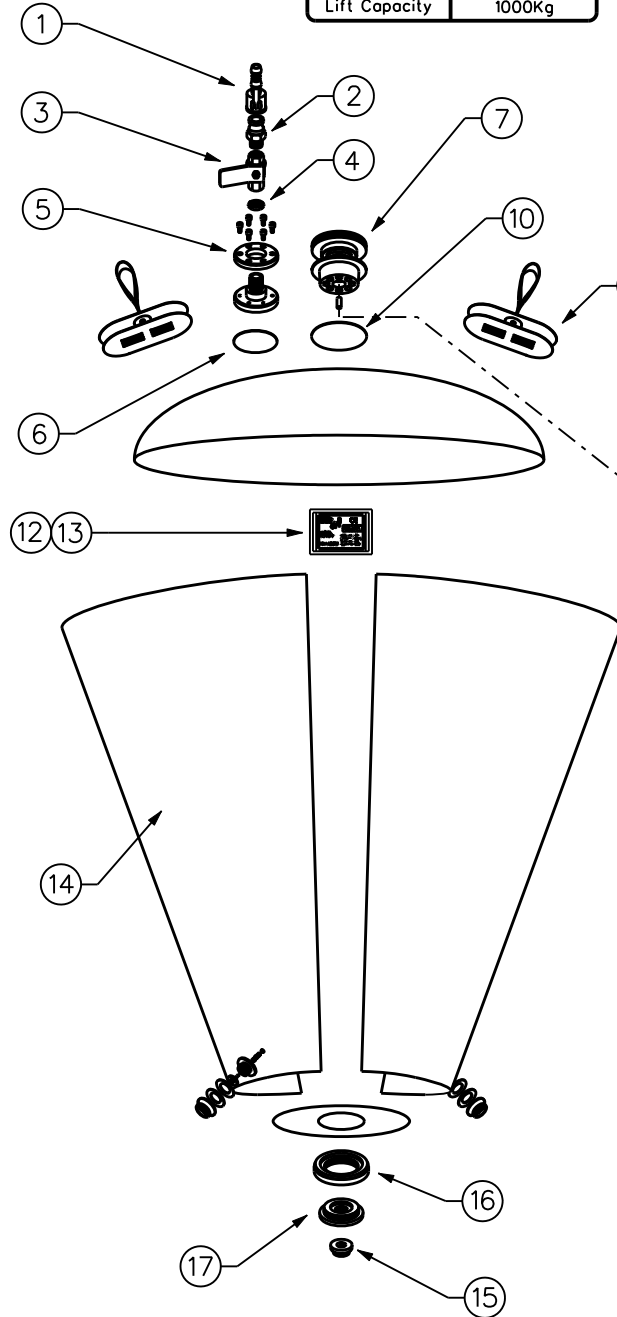


If In Doubt ASK !

Overall Height	2380mm
Overall Diameter	1300mm
Lift Capacity	1000kg



Item No	Part No	BAAN No.	Qty	Description	Remarks
1	D0416551240	711142	1	Brass Hose Tail	1/4 B.S.P. Thread
2	D0416551230	711158	1	1/4 Brass Male Coupling	1/4 B.S.P. Thread
3	D0440451316	710964	1	Stainless Steel Ball Valve	1/4 B.S.P. Thread
4	D0413562900	711092	1	1/4 Brass Nut	1/4 B.S.P. Thread
5	D0412560160	711143	1	1/4" Skin Fitting	
6	E0108031600	710276	1	1/4 Inlet Patch	
7	D0433000000	711044	1	Large Dump Valve	
8	D0500539012	710250	2	Crimped Copper Ferrule	6.5mm
9	D0311700001	710729	3.6	6mm Rope	
10	E0108031800	710277	1	7" Patch	
11	E0108031500	710273	2	Anchor Tab	Major
12	E0102030816	710260	1	JW Label	Blue PVC
13	E0160175800	710202	2	Label Cover	Clear PVC
14	D0108039999	710370		Bag Material	3 X 3
15	D0407683320	711127	3	A10 Relief Valve	2 P.S.I.
16	D0430690018	710977	1	4" Skin Fitting	
17	D0430690021	710974	1	4" Plug	To Take A10 Valve
18	E0102036005	N/A	1	Tie Strap Label	Blue PVC
19	E0202709000	710892	1	Tie Strap	Medium
20	E0202701700	710891	4	Side Strap	
21	D0601510180	710759	4	2.0 Tonne Shackle	
22	E0201709224	711951	2	Bottom Strap	Round Sling 1T 0.7m
23	E0104031201	710264	2	Medium Sleeve	
24	D0602510600	710777	1	4.0 T Link	
25	D0601510200	710764	1	4.75 T Shackle	
26	E0108038800	710199	1	External Valve Cover	
27	E0201700402	711525	2	PR5 Side Straps	Inverter Point
28	E0102030818	711718	1	Inverter Point Label Lrg	Yellow PVC

Dimensions in MM	
Tolerance	N/A
Material	N/A

©SCHOLLE EUROPE LIMITED t/o
J.W. Automarine 1972- Present. This article
and drawing is protected by copyright and is
the property of Scholle Europe Limited. It
may not be copied, published, or used for any
purpose other than that for which it has been
supplied, except with the written permission
of Scholle Europe Limited.

BAAN No.	710154
File Name	PRITE.DGN
Material	N/A



Drawn	Sig	Revisions	Issue	Date
SBG		Drawn	1	1.12.06
		Inverter Point	2	10.8.07
Scale		Round Sling	3	7.4.10
On A1				
Checked				

Client	
JW Automarine	
Drawn No	CJW 06/063
Issue No	3
Sheet No	1 of 1
Date	7.4.10

Title
PR1 Totally Enclosed Parachute Lift Bag PRITE