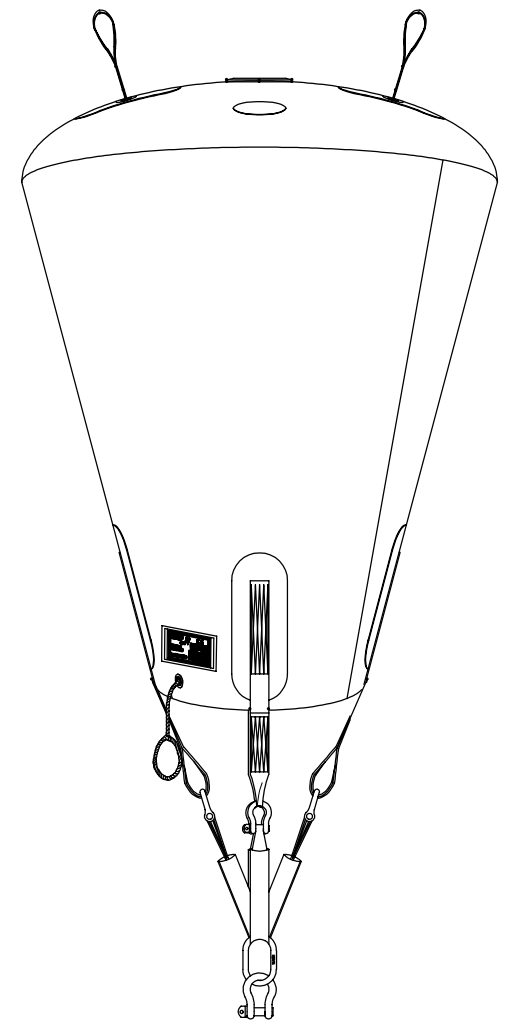
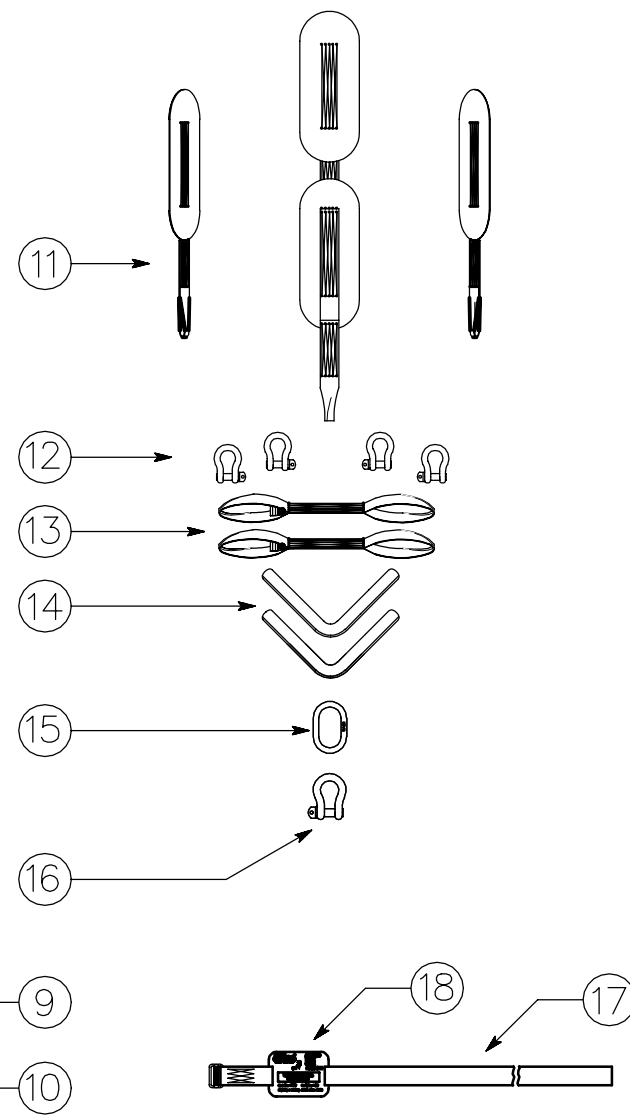
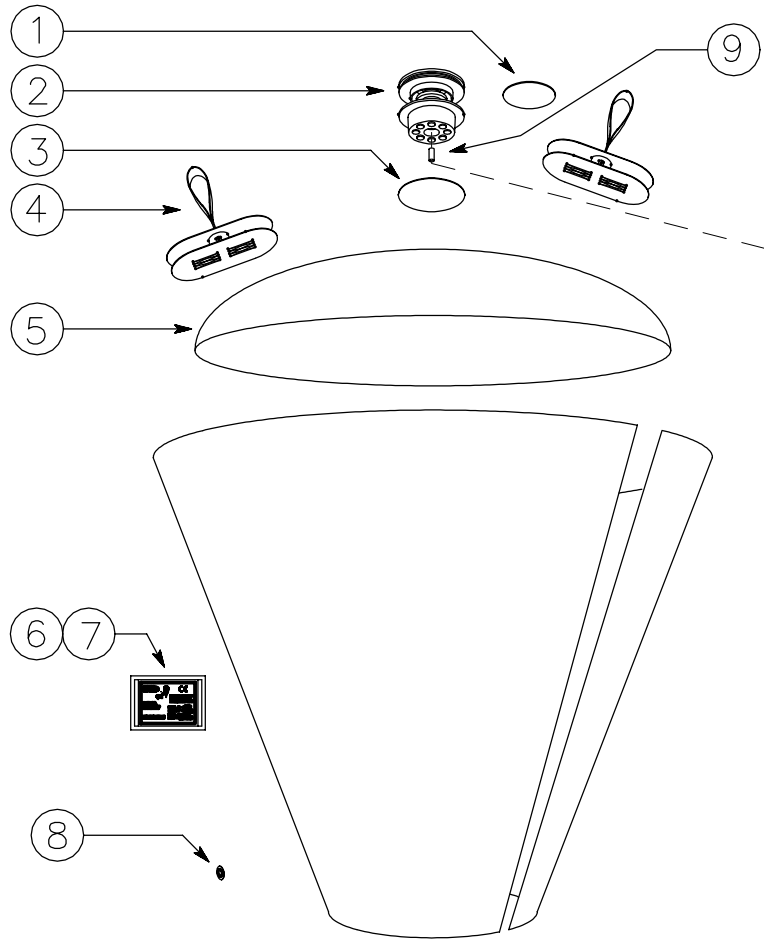


If In Doubt ASK !



Item No	Part No	Qty	Description	Remarks
1	E0108031600	1	Patch 3/4 Inlet	
2	D0433000000	1	Large Dump Valve	
3	E0108031800	1	Dump Valve Patch	7"
4	E0108031500	2	Anchor Tab	Major
5	D0108030000	-	Lid	3 x 3
6	E0102030818	1	JW Label	Blue PVC
7	E0160175800	1	Label Cover	Clear PVC
8	D0500590400	1	Eyelet	15/35 Inch
9	D0500539012	2	Copper Ferrule	6.5mm
10	D0311700001	3.75	6mm Rope	
11	E0202701700	4	Side Strap	
12	D0601510180	4	2 Tonne Shackle	
13	E0202700110	2	Bottom Strap	
14	E0104031200	2	Medium Sleeve	2 x 2
15	D0602510600	1	4.0 T Link	
16	D0601510200	1	4.75 T Shackle	
17	E0202709000	1	Tie Strap	Major Medium
18	E0102036005	1	Tie Strap Label	Major

Overall Height	2860mm
Overall Diameter	1300mm
Lift Capacity	1500Kg

Dimensions In MM	PR1V.DGN
Tolerance	Material
All Dimensions Are Minimum Sizes	3 x 3 Yellow PVC
© SCHOLLE EUROPE LIMITED t/a Crestbury and J.W. Automarine 1972-2003 .This article and drawing is protected by copyright and is the property of Scholle Europe Limited.It may not be copied, published, or used for any purpose other than that for which it has been supplied, except with the written permission of Scholle Europe Limited.	SCHOLLE EUROPE LTD. t/a automarine Enterprise Way Fakenham,Norfolk,NR21 8SN,England Telephone:Fakenham(01328)852300 Fax:Fakenham(01328)864222 Email:sales@jwautomarine.co.uk

Drawn	Sig	Revisions	Issue	Date	Client			
<i>Verones</i>		Updated	3	12.1.90				
		Strap Change	4	28.3.94	JW Automarine			
Scale	SBG	JW Label	5	21.11.02				
On At					Drawing No	CJW 82/10	Issue No	5
Checked					Sheet No	1 OF 1	Date	21.11.02

Title
PR1V