

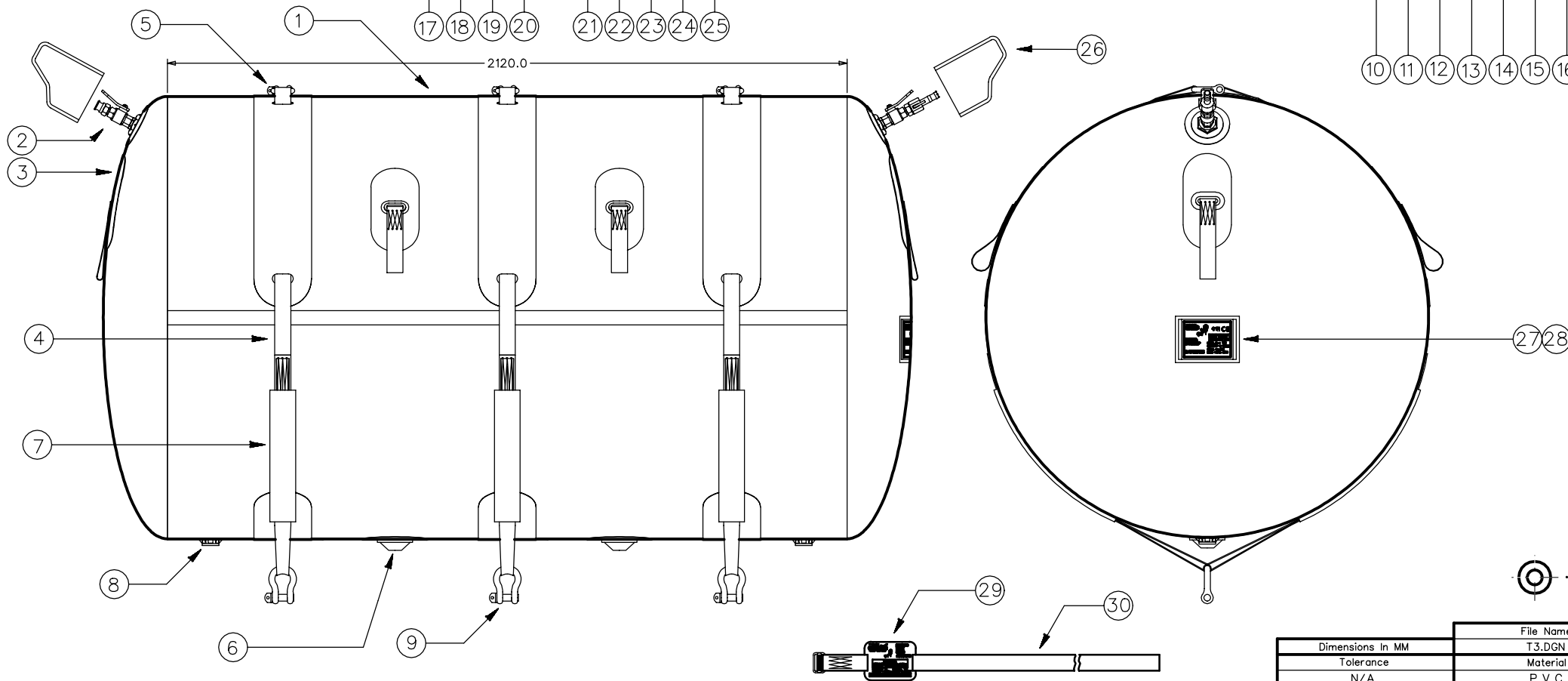
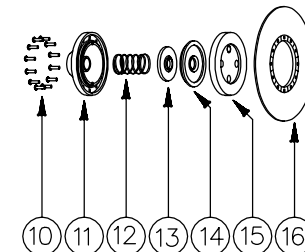
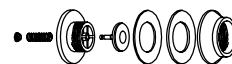
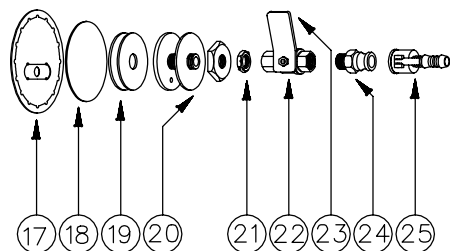
If In Doubt ASK !

Exploded ISO View Of Inlet Valve

Exploded ISO View Of A10 Valve

Exploded ISO View Of A3 Relief Valve

Overall Length	2650mm
Overall Diameter	1430mm
Overall Height	1860mm
Lift Capacity	3000Kg



Item No	Part No	Qty	Description	Remarks	Item No	Part No	Qty	Description	Remarks
1	D0108039999	N/A	3 x 3 Yellow P.V.C. Material		16	D0407598600	2	Weldable Flange	
2	N/A	2	Ball Valve Assembly	See Items 17 - 25	17	E0108039000	2	Internal Valve Cover	
3	E0108031500	6	Major Anchor Tab		18	E0108031600	2	1/4 Inlet Patch	
4	E0201700701	3	T3 Side Strap		19	E0413633000	4	1/4 Inlet Gasket	
5	D0601510100	3	3.25 Ton Shackle		20	D0413560000	2	1/4 Brass Inlet	3/4 B.S.P. Thread
6	N/A	N/A	A3 Relief Valve	See Items 10 - 16	21	D0413562900	2	1/4 Brass Nut	3/4 B.S.P. Thread
7	E0108031302	6	Large Sleeve	Capacity Print	22	D0440451310	2	1/4 Ball Valve	3/4 B.S.P. Thread
8	D0407683320	2	A10 Relief Valve	See ISO View For Details	23	D0440531311	2	Stainless Steel Handle	
9	D0601510200	3	4.75 Ton Shackle		24	D0416551230	2	1/4 Brass Male Coupling	3/4 B.S.P. Thread
10	D0407563700	2	Screw Set		25	D0416551240	1	Brass Hose Tail	
11	D0407683100	2	Black Housing		26	E0108038800	2	External Valve Cover	
12	D0407523900	2	2 PSI Spring		27	E0102030816	1	JW Label	Blue PVC
13	D0407683200	2	Pressure Plate		28	E0160175800	1	Label Cover	Clear PVC
14	D0407643500	2	Internal Diaphragm		29	E0102036010	1	Tie Strap Label	Blue PVC
15	D0407683300	2	Anchor Plate		30	E0202708900	1	Major Large Tie Strap	

Dimensions In MM	T3.DGN
Tolerance	Material
N/A	P.V.C.
© SCHOLLE EUROPE LIMITED t/a Crestbury and J.W. Automarine 1972-2002. This article and drawing is protected by copyright and is the property of Scholle Europe Limited. It may not be copied, published, or used for any purpose other than that for which it has been supplied, except with the written permission of Scholle Europe Limited.	
SCHOLLE EUROPE LTD. T/A Automarine Enterprise Way Fakenham, Norfolk, NR21 8SN, England Telephone: Fakenham 01328 852300 Fax: Fakenham 01328 854222 Email: sales@jwautomarine.co.uk	

Drawn	Sig	Revisions	Issue	Date	Client				
AJD		Drawn	2	1.6.82	JW Automarine				
		Updated	3	18.5.92					
Scale	SBG	Revised	4	11.12.98	Drawing No	CJW 82/27	Issue No	7	
		SBG	Dims Box	5	24.4.01	Sheet No	1 Of 1	Date	27.11.02
On A1	SBG	Pt No Change	6	12.7.01					
Checked	SBG	Tie Strap Label	7	27.11.02					
JR									

Title
T3 (3000 Kg)