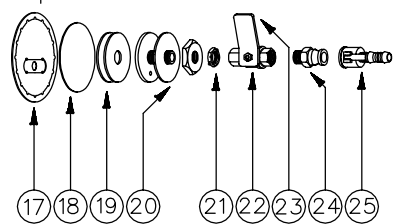


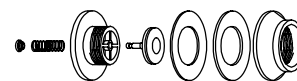
If In Doubt ASK !

Overall Length	3760mm
Overall Diameter	1430mm
Overall Height	1860mm
Lift Capacity	5000Kg

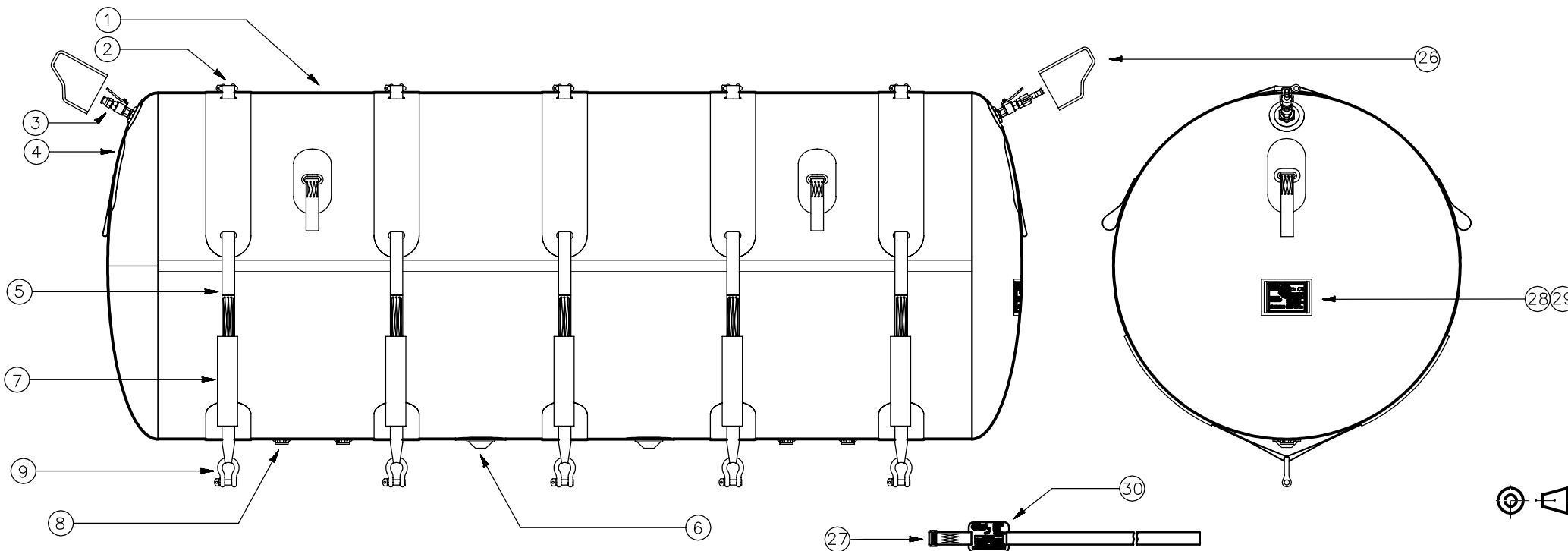
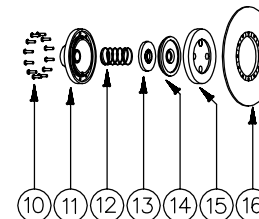
Exploded ISO View Of Inlet Valve



Exploded ISO View Of A10 Valve



Exploded ISO View Of A3 Relief Valve



Item No	Part No	Qty	Description	Remarks	Item No	Part No	Qty	Description	Remarks
1	D010803999	N/A	3 x 3 Yellow P.V.C. Material		16	D0407598600	2	Weldable Flange	
2	D0601510100	5	3.25 Ton Shackle		17	E0108039000	2	Internal Valve Cover	
3	N/A	2	Ball Valve Assembly	See Items 17 - 25	18	E0108031600	2	1/4 Inlet Patch	
4	E0108031500	6	Major Anchor Tab		19	E04136330000	4	1/4 Inlet Gasket	
5	E0201700701	5	T3/T5 Side Strap		20	D0413560000	2	1/4 Brass Inlet	1/4 B.S.P. Thread
6	N/A	2	A3 Relief Valve	See Items 10 - 16	21	D0413562900	2	1/4 Brass Nut	1/4 B.S.P. Thread
7	E0108031300	10	Large Sleeve		22	D0440561310	2	1/4 Ball Valve	1/4 B.S.P. Thread
8	D0407683320	4	A10 Relief Valve	See ISO View For Detail	23	D0440531311	2	Stainless Steel Handle	
9	D0601510200	5	4.75 Ton Shackle		24	D0416551230	2	1/4 Brass Male Coupling	1/4 B.S.P. Thread
10	D0407563700	2	Screw Set		25	D0416551240	1	Brass Hose Tail	
11	D0407683100	2	Black Housing		26	E0108038800	2	External Valve Cover	
12	D0407523900	2	2 PSI Spring		27	E0202708900	1	Major Large Tie Strap	
13	D0407683200	2	Pressure Plate		28	E0102030816	1	JW Label	Blue PVC
14	D0407643500	2	Internal Diaphragm		29	E0160175800	1	Label Cover	Clear PVC
15	D0407683300	2	Anchor Plate		30	E0102036010	1	Tie Strap Label	Blue PVC

Dimensions In MM		T5.DGN	
Tolerance		Material	
N/A		P.V.C.	

© SCHOLLE EUROPE LIMITED t/a Crestbury and J.W. Automarine 1972-2002. This article and drawing is protected by copyright and is the property of Scholle Europe Limited. It may not be copied, published, or used for any purpose other than that for which it has been supplied, except with the written permission of Scholle Europe Limited.

File Name  
T5.DGN

Material  
P.V.C.

SCHOLLE EUROPE LTD.  
t/a  
**automarine**

Enterprise Way  
Fakenham, Norfolk, NR21 8SN, England  
Telephone: Fakenham (01328) 852300  
Fax: Fakenham (01328) 854222  
Email: sales@jwautomarine.co.uk

Drawn	Sig	Revisions	Issue	Date
AJD		Drawn	1	1.6.82
AJD		Updated	2	5.7.93
		Reduced Length	3	28.4.99
		Parts Box	4	20.4.01
		Pt No Change	5	12.7.01
		Tie Strap Label	6	20.9.02
		A10 Pt No Change	7	27.11.02

Client  
J.W. Automarine

Drawing No	CJW 82/28	Issue No	7
Sheet No	1 of 1	Date	27.11.02

Title  
T5 (5000 Kg)