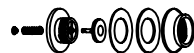
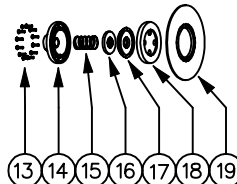


If In Doubt ASK !

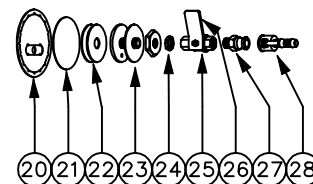
Exploded ISO View Of A10 Valve



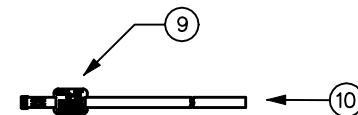
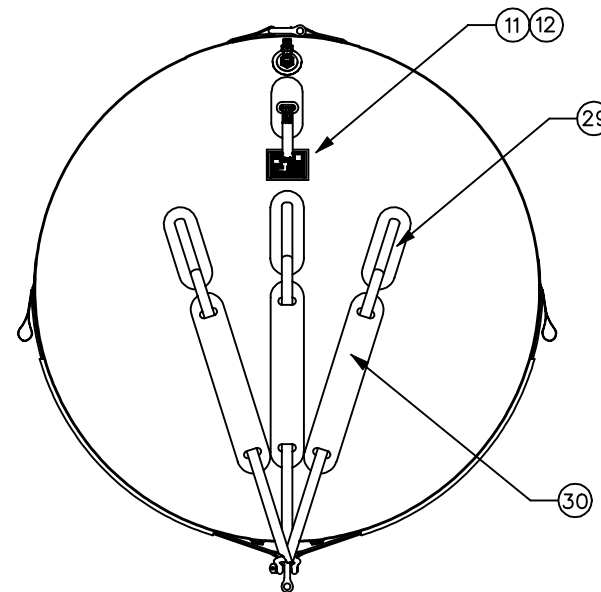
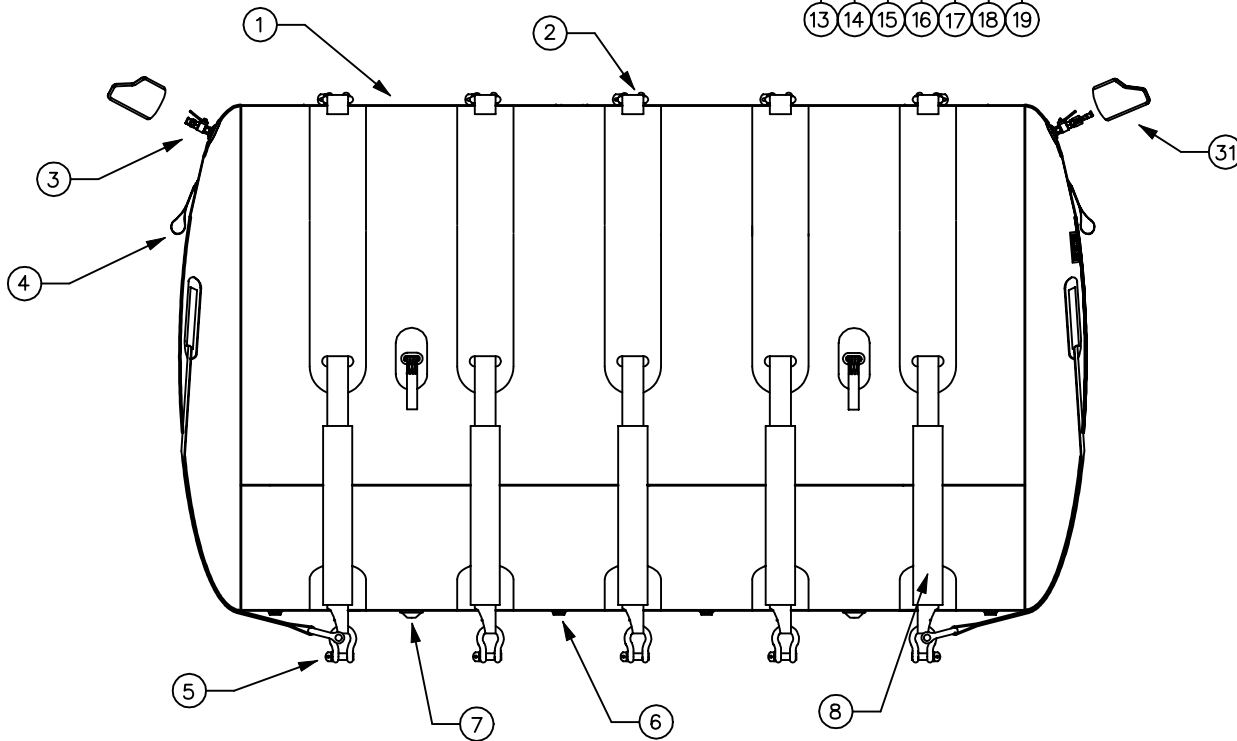
Exploded ISO View Of A3 Relief Valve



Exploded ISO View Of Inlet Valve



Overall Length	4000mm
Overall Diameter	2420mm
Overall Height	2500mm
Lift Capacity	15000Kg



Item No	Part No	Qty	Description	Remarks	Item No	Part No	Qty	Description	Remarks
1	D0108039999	N/A	P.V.C Material	3 x 3 Yellow	18	D0407683300	2	Anchor Plate	
2	D0601510300	7	6.5 Tonne Shackle		19	D0407598600	2	Weldable Flange	
3	N/A	2	Ball Valve Assembly	See Items 20 - 28	20	E0108039000	3	Internal Valve Cover	
4	E0108031500	6	Major Anchor Tab		21	E0108031600	2	1/4 Inlet Patch	
5	D0601510400	5	9.5 Tonne Shackle		22	E0413633000	4	1/4 Inlet Gasket	
6	D0407683320	8	A10 Relief Valve	See ISO View For Detail	23	D0413560000	2	3/4 Brass Inlet	3/4 BSP Thread
7	N/A	2	A3 Relief Valve	See Items 13 - 19	24	D0413562900	2	3/4 Brass Nut	3/4 BSP Thread
8	E0211709711	5	T20 Side Strap	100mm Webbing	25	D0440561310	2	1/4 Ball Valve	3/4 BSP Thread
9	E0102036010	1	Tie Strap Label	Blue PVC	26	D0440531311	2	Stainless Steel Handle	
10	E0202708800	1	Major X Large Tie Strap		27	D0416551230	2	3/4 Brass Male Coupling	3/4 BSP Thread
11	E0102030816	1	JW Label	Blue PVC	28	D0416551240	1	Brass Hose Tail	
12	E0160175800	1	Label Cover	Clear PVC	29	E0201705110	6	Restaint Strap	50mm Webbing
13	D0407563700	2	Screw Set		30	E0104031205	6	End Strap Panel	
14	D0407683100	2	Black Housing		31	E0108038800	2	External Valve Cover	
15	D0407523900	2	2 PSI Spring						
16	D0407683200	2	Pressure Plate						
17	D0407643500	2	Internal Diaphragm						

Dimensions in MM		File Name
Tolerance		T15.DGN
N/A		Material
N/A		N/A

© SCHOLLE EUROPE LIMITED t/a Crestbury and J.W. Automarine 1972-2003. This article and drawing is protected by copyright and is the property of Scholle Europe Limited. It may not be copied, published, or used for any purpose other than that for which it has been supplied, except with the written permission of Scholle Europe Limited.



Drawn	Sig	Revisions	Issue	Date
SBG		Drawn	1	28.9.00
		New Tie Strap	2	25.4.01
		Valve Positions	3	2.12.02
Scale		Valve Positions	4	13.8.03
On A1				
Checked				

Enterprise Way
Fakenham, Norfolk, NR21 8SN, England
Telephone: Fakenham 013281852300
Fax: Fakenham 013281854222
Email: sales@jwautomarine.co.uk

Client
J.W. Automarine

Drawing No: CJW 99/405 Issue No: 4
Sheet No: 1 of 1 Date: 13.8.03

Title
T15 (15000 Kg)