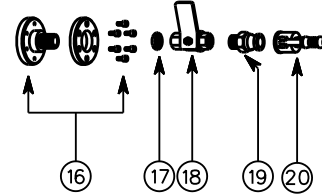


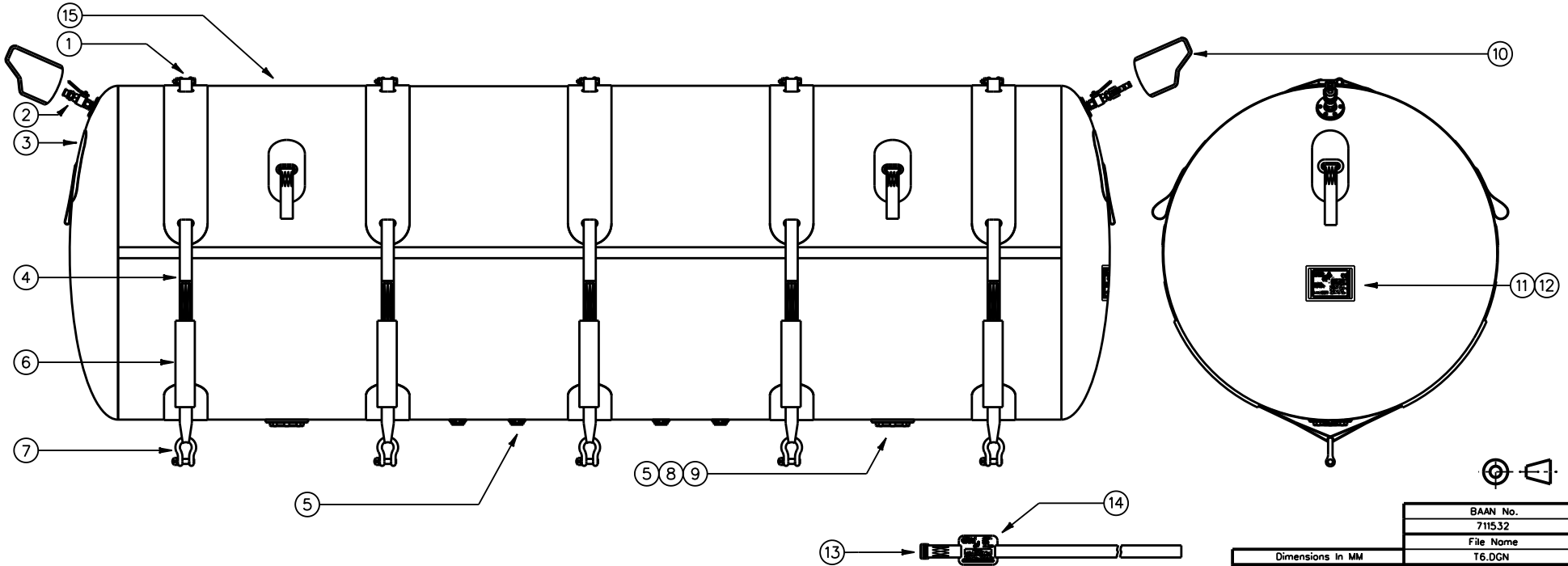
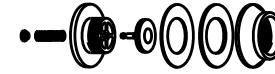
If In Doubt ASK !

Overall Length	4420mm
Overall Diameter	1430mm
Overall Height	1580mm
Lift Capacity	6000Kg

Exploded ISO View Of Inlet Valve



Exploded ISO View Of A10 Valve



Item No	BAAN	Qty	Description	Remarks	Item No	BAAN	Qty	Description	Remarks
1	711667	5	Green Pin Safety Shackle	3.25T SWL	11	N/A	1	JW Label	Blue PVC
2	N/A	2	Ball Valve Assembly	See Items 16-20	12	710202	1	Label Cover	Clear PVC
3	710273	6	Major Anchor Tab		13	710903	1	Major Large Tie Strap	
4	712007	5	T3/T5 Main Body Strap		14	N/A	1	Tie Strap Label	Blue PVC
5	711127	6	A10 Relief Valve 2 PSI	See ISO For Details	15	710370	N/A	3 x 3 Yellow P.V.C. Material	
6	711831	10	Large Sleeve	6T Capacity Print	16	711143	2	1/4" BSPM Skin Fitting	
7	711771	5	Green Pin Shackle	4.75T SWL	17	711092	2	1/4" BSP Brass Nut	
8	710977	2	4" BSPF Skin Fitting		18	710964	2	1/4" BSP Ball Valve St/Stl	
9	710974	2	4" BSP Plug	To Take A10 Valve	19	711158	2	1/4" Brass Male Coupling	
10	710199	2	External Valve Cover		20	711142	1	1/4" Brass Hose Tail	

BAAN No.		711532	
File Name		T6.DGN	
Material		3 x 3 Yellow PVC	
Dimensions in MM		N/A	
Tolerance		N/A	
<small>©SCHOLLE EUROPE LIMITED 1/6 J.W. Autamarine 1972 - Present. This article and drawing is protected by copyright and is the property of Scholle Europe Limited. It may not be copied, published, or used for any purpose other than that for which it has been supplied, except with the written permission of Scholle Europe Limited.</small>			
		<small>Enter on Line Map Fakenham, Norfolk, NR21 8SA, England Telephone Fakenham 01328 852300 Fax Fakenham 01328 854222 Email sales@jwautamarine.co.uk</small>	

Drawn	Sig	Revisions	Issue	Date
SBC		Drawn	1	16.11.04
		Skin Fitting	2	24.2.05
		New Ball Valve	3	12.1.06
		BAAN Numbers	4	1.7.10
		Safety Shackles	5	20.8.15
Checked				

Client			
J. W. Autamarine			
Drawing No	CJW 04/109	Issue No	5
Sheet No	1 Of 1	Date	20.8.15

Title
T6 (6000 Kg)